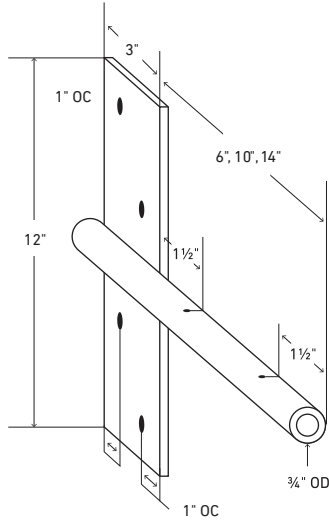


YURI MD

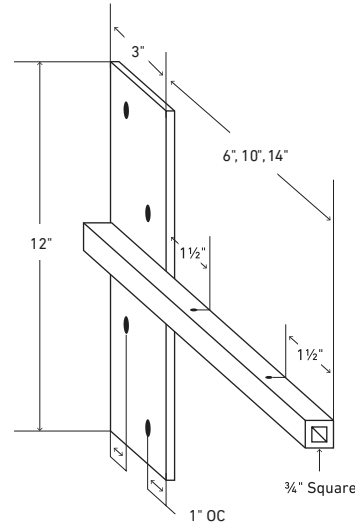
Load Capacity (lbs.)
50-68*

Surface Depth Range (in.)
7-18**

A



B



About Yuri MD

- Supports surfaces from 9" to 18" deep and 1 1/2" to 4" thick
- [†]Recommended spacing is 32" OC for shallower, lighter duty installations, 16" OC or less for deeper, heavier duty installations
- Mounting plate is 1/4" thick hot-rolled steel, 3" long x 12" high
- Screw holes are 3/4" OD, ideal for high strength 1/4" lag bolts
- Bracket mounts to side of stud
- 3/4" diameter or 3/4" square rod
- Supports up to 68 lbs. per hollow rod when correctly mounted*

*
WARNING: All brackets must be installed into studs or posts. Failure to do so may result in saggy shelves, falling objects, or even injury.

**
Request 4 1/2" rod length for shelf depth applications below 7".

Drawings are representations only and not to scale.

© Shelfology 2018

Figure	Rod Count	Load	Mounting Plate	Spacing (OC) [†]	Shelf Length	Shelf Depth	Shelf Thickness
--------	-----------	------	----------------	---------------------------	--------------	-------------	-----------------

A	1	68 lbs	3" x 12"	16" - 32"	Any	8" - 11"	1 1/2" - 4"
A	1	55 lbs	3" x 12"	16" - 32"	Any	12" - 15"	1 1/2" - 4"
A	1	50 lbs	3" x 12"	16" - 32"	Any	16" - 18"	1 1/2" - 4"
B	1	68 lbs	3" x 12"	16" - 32"	Any	8" - 11"	1 1/2" - 4"
B	1	55 lbs	3" x 12"	16" - 32"	Any	12" - 15"	1 1/2" - 4"
B	1	50 lbs	3" x 12"	16" - 32"	Any	16" - 18"	1 1/2" - 4"

CUSTOM BRACKETS ARE NO PROBLEM. EXPECT SAME INSANE RADNESS ACROSS THE BOARD. SERIOUSLY. CALL US. 949.244.1083



Get More Hardware & Ready To Hang Radness
Order Online at shelfology.com //
Email hello@shelfology.com //
Order Now 949.244.1083