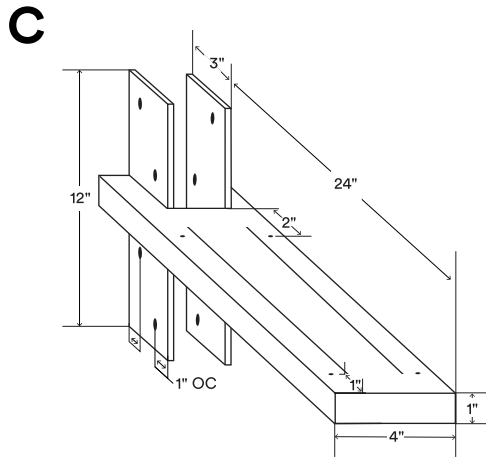
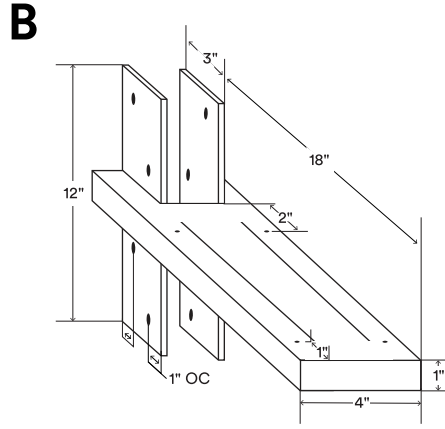
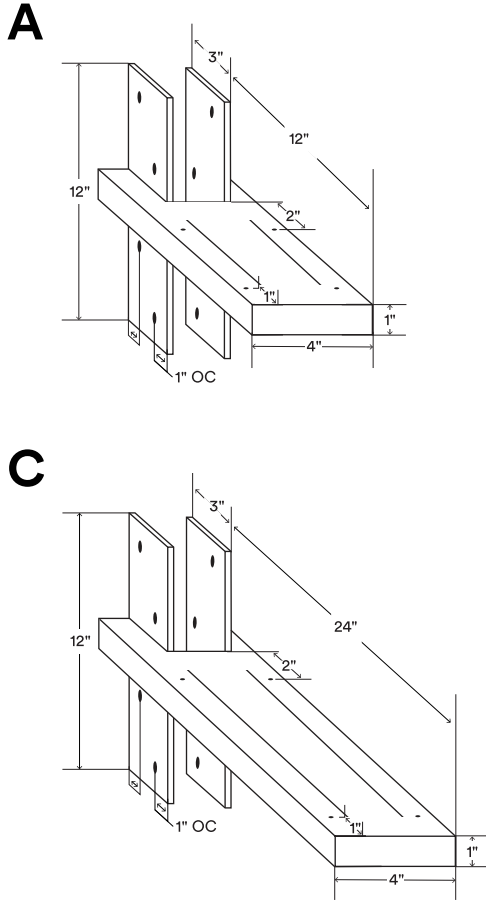


# Yuri XD

Load Capacity (lbs)  
**75-750**

Desk Depth Range (in)  
**12-30**



**About Yuri XD**

Back bar is 1/4" thick, hot-rolled steel. Lagscrew holes are 1/4" outside diameter (OD).

Bracket mounts to sides of stud.

Supports up to 750 lbs per bracket when correctly mounted.\*

Designed & engineered in the U.S. of Awesome.

Shelfology radically recycles all production metal, wood, and cardboard waste.

**\*WARNING:** All brackets must be installed into studs or posts. Failure to do so may result in saggy desks, falling objects, or even injury.

\*\*Drawings are representations only and not to scale.

© Shelfology 2025

Figure	Rod Length	Load	Weight	Desk Depth	Desk Thickness
A	12"	750 lbs	10.84 lbs	12"-18"	3/4"-3"
B	18"	175 lbs	13.30 lbs	18"-24"	3/4"-3"
C	24"	75 lbs	15.76 lbs	24"-30"	3/4"-3"

