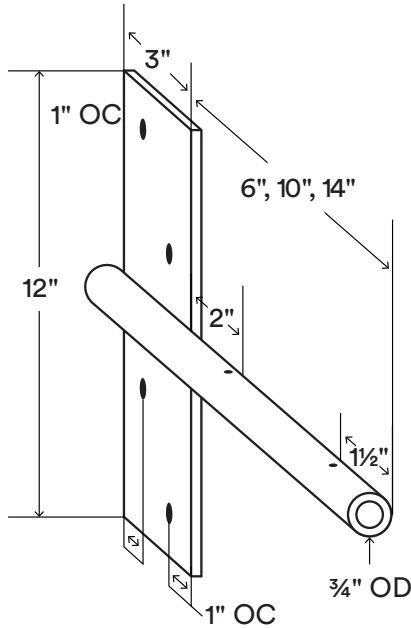


# Yuri MD

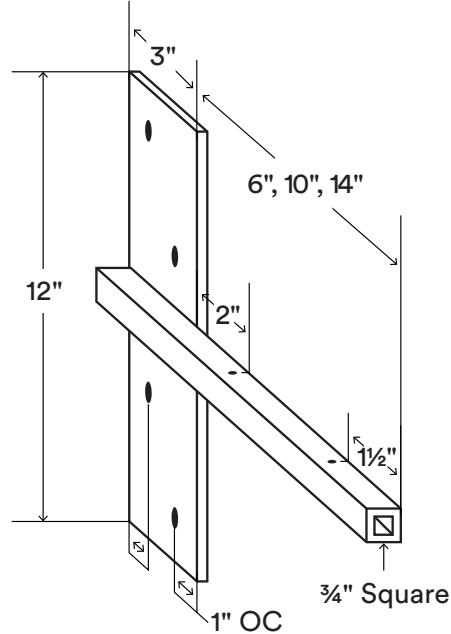
Load Capacity (lbs)  
**35–100\***

Desk Depth Range (in)  
**7–18\*\***

**A**



**B**



## About Yuri MD

Mounting plate is 1/4" thick, hot-rolled steel, 3" long x 12" high, with 3/4" diameter or 3/4" square rod.

Screw holes are 1/4" outside diameter (OD), ideal for high strength 1/4" lag bolts.

Supports surfaces from 9" to 18" deep and 1 1/2" to 4" thick.

\*Recommended spacing is 32" on center (OC) for shallower, lighter-duty installations, 16" OC or less for deeper, heavier-duty installations.

Bracket mounts to side of stud. Supports up to 100 lbs per hollow rod when correctly mounted.\*

Designed & engineered in the U.S. of Awesome.

Shelfology radically recycles all production metal, wood and cardboard waste

\*WARNING: All brackets must be installed into studs or posts. Failure to do so may result in saggy desks, falling objects, or even injury.

\*\*Drawings are representations only and not to scale.

© Shelfology 2025

Figure	Rod Count	Rod Length	Load	Mounting Plate	Spacing (OC) †	Desk Depth	Desk Thickness
A	1	6"	85 lbs	3" x 12"	16"–32"	8"–11"	1 1/2"–4"
A	1	10"	40 lbs	3" x 12"	16"–32"	12"–15"	1 1/2"–4"
A	1	14"	35 lbs	3" x 12"	16"–32"	16"–18"	1 1/2"–4"
B	1	6"	100 lbs	3" x 12"	16"–32"	8"–11"	1 1/2"–4"
B	1	10"	55 lbs	3" x 12"	16"–32"	12"–15"	1 1/2"–4"
B	1	14"	40 lbs	3" x 12"	16"–32"	16"–18"	1 1/2"–4"

Patent Pending Design.
 Lightning Fast Lead Times.

Shelfology.
 Way To Display..