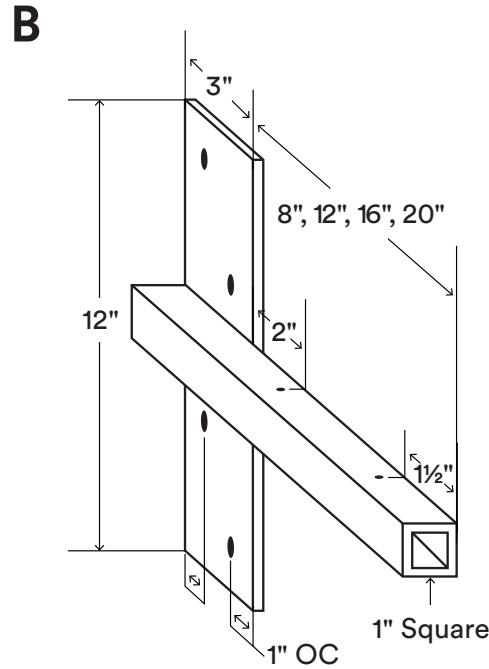
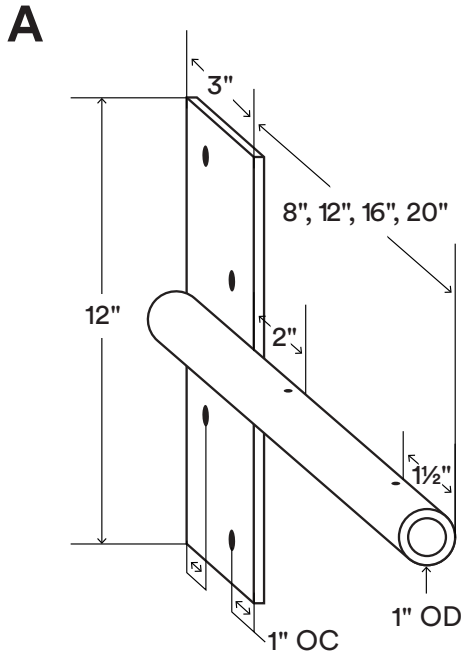


# Yuri HD

Load Capacity (lbs)  
**30–150\***

Desk Depth Range (in)  
**9–24**



## About Yuri HD

Mounting plate is 1/4" thick, hot-rolled steel, 3" long x 12" high, with 1" diameter or 1" square rod.

Screw holes are 1/4" outside diameter (OD), ideal for high strength 1/4" lag bolts.

Supports surfaces from 9" to 24" deep and 1 1/2" to 4" thick.

\*Recommended spacing is 32" on center (OC) for shallower, lighter-duty installations, 16" OC or less for deeper, heavier-duty installations.

Bracket mounts to side of stud. Supports up to 150 lbs per hollow rod when correctly mounted.\*

Designed & engineered in the U.S. of Awesome.

Shelfology radically recycles all production metal, wood and cardboard waste

\*WARNING: All brackets must be installed into studs or posts. Failure to do so may result in saggy desks, falling objects, or even injury.

\*\*Drawings are representations only and not to scale.

© Shelfology 2025

Figure	Rod Count	Rod Length	Load	Mounting Plate	Spacing (OC) †	Desk Depth	Desk Thickness
A	1	8"	100 lbs	3" x 12"	16"–32"	9"–12"	1 1/2"–4"
A	1	12"	75 lbs	3" x 12"	16"–32"	13"–16"	1 1/2"–4"
A	1	16"	45 lbs	3" x 12"	16"–32"	17"–20"	1 1/2"–4"
A	1	20"	30 lbs	3" x 12"	16"–32"	21"–24"	1 1/2"–4"
B	1	8"	150 lbs	3" x 12"	16"–32"	9"–12"	1 1/2"–4"
B	1	12"	110 lbs	3" x 12"	16"–32"	13"–16"	1 1/2"–4"
B	1	16"	60 lbs	3" x 12"	16"–32"	17"–20"	1 1/2"–4"
B	1	20"	35 lbs	3" x 12"	16"–32"	21"–24"	1 1/2"–4"

