

Shelfology  
Certified Rad\_™

Made In The U.S.A.  
By Woodworkers, For  
Woodworkers\_

→ Patent  
✓ Pending  
Design.

⚡ Lightning  
→ Fast Lead  
Times.

★ Made  
In The  
USA.

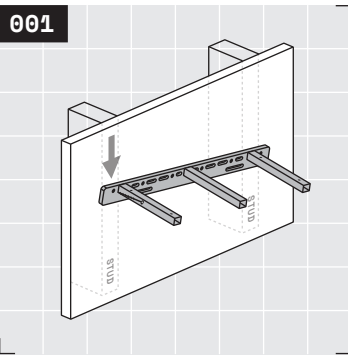
# Yuri FM Bracket Install Guide



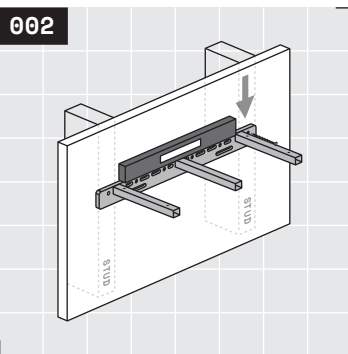




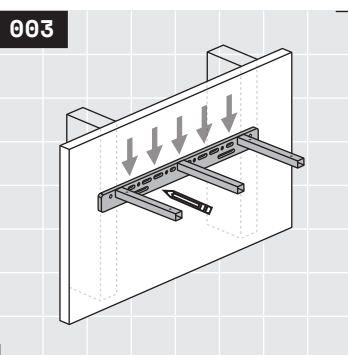
# Installation Steps



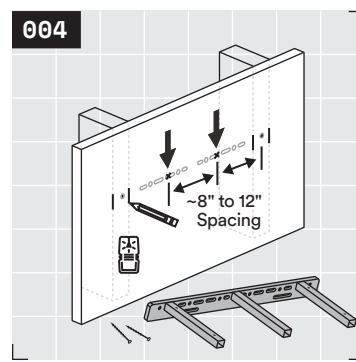
**001** Let's dive in, homies! Orient your bracket on the wall so the channels across the top of your bracket face up. Use a drill to install a fastener in either far left or right hole.



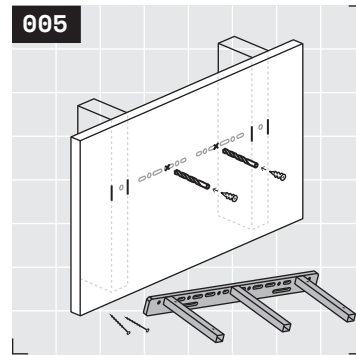
**002** Level your bracket, set another fastener in the opposite end hole with your drill. If you have installed blocking behind the full length of your bracket, skip to **Step 6**. If you have not installed blocking, proceed to step 3. For more information on blocking, see **Rad Tip** on page 7.



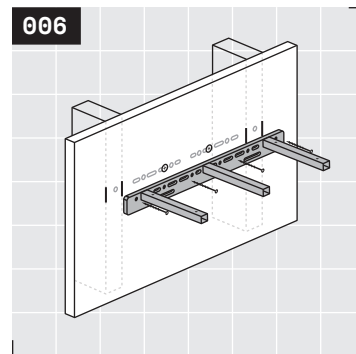
**003** Mark all fastener holes and channels with a pencil. Once every fastener location has been marked, uninstall both fasteners and remove your bracket from the wall.



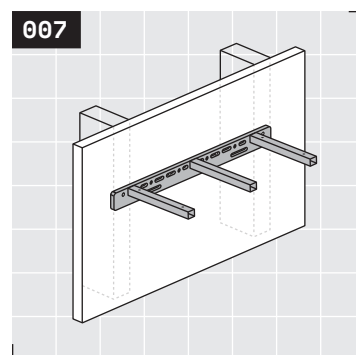
**004** Use a stud finder to mark the location of every stud the bracket crosses. Then for areas between studs, mark one or two drywall anchor install locations roughly every eight to twelve inches or less along the length of the bracket depending on the stud spacing in your wall.



**005** Pre-drill each drywall anchor location with a 1/4" drill bit to avoid breaking drywall anchors. Install a drywall anchor in each of these pre-drilled locations. If you are using your own anchors, we recommend Toggler brand for best results. Stud locations should not be pre-drilled. Drywall anchors should be installed flush with the drywall surface.



**006** Confirm the position of the bracket and install a fastener into every location crossing a stud or blocking. For every location that a drywall anchor was installed, ensure a fully threaded #8 fastener is used.



**007** That's it! Make a final inspection of your bracket. Check for bracket sag, confirm bracket is correctly secured to wall. To correct sag, see **Rad Tip** on page 7. Your bracket is now prepared for a prime desk slab to be installed. If you need more help, please reach out to a shelf geek today.

hello@shelfology.com  
949.244.1083





Whoa, you made it! We are vicariously stoking for you right now. Post your sweet shelfie on Instagram now!



@shelfology  
#radshelfie

Need a hand? Speak with a Shelf Geek at 949.244.1083 or hello@shelfology.com today.

How did we do? You'll get an email soon asking for a product review, and we'd be stoked if you oblige. You rock in advance!

Yuri FM Install Guide  
Warnings

GET MORE RADNESS NOW AT SHEFFOLOGY.COM // NEED A HAND? 949.244.1083 // HELLO@SHEFFOLOGY.COM

## Warnings



**1 Correct Install Required For Safe Use**

1.1 Brackets must be correctly installed into studs or wall blocking.

**2 Adhere To The Capacity Rating Of Your Specific Bracket**

2.1 Every Shelfology bracket has been engineered for use with specific desk capacities.

**3 California Proposition 65 Warning**

3.1 This product contains chemicals known to the State of California to cause cancer and birth defects or other reproductive harm.

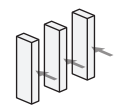
**4 This Product May Make Others Incredibly Jealous**

4.1 Any Shelfology Certified Rad™ product should be flaunted with caution around friends, loved ones, and even complete strangers, as minimal or extreme jealousy may occur.

## Rad Tips

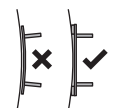


**1 Fasten Into All Studs & Blocking The Bracket Crosses**

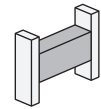


1.1 Studs are the vertical 2x4 boards that make up the bones of your walls. They provide solid structure for your brackets to attach to.

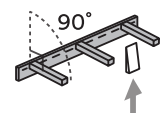
**2 Using Shims With Your Bracket**



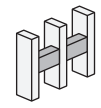
2.1 If your wall is not straight, use shims to ensure your bracket is installed straight across the wall face and square to the wall. The desk slab and bracket will properly mate only if the bracket is straight and plum.



1.2 Blocking is typically added later between studs in the wall for additional support to mount brackets to, and is usually made from 2x4 or 2x6 lumber.



2.2 If your bracket continues to sag after correct install, use wood shims underneath the backbar to adjust front to back level.



1.3 For a contractor grade install with best substrate strength, install blocking along the length of your bracket.

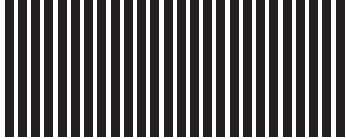


Yuri FM Install Guide  
Rad Tips

CERTIFIED  
RAD™

MADE IN THE  
U.S. OF A.

LIGHTNING FAST  
LEAD TIMES



---

**Need a hand? Speak with a Shelf Geek at 949.244.1083 or [hello@shelfology.com](mailto:hello@shelfology.com) today.**

**How did we do? You'll get an email soon asking for a product review, and we'd be stoked if you oblige. You rock in advance!**

---

<b>Call</b>	949.244.1083
<b>Email</b>	<a href="mailto:hello@shelfology.com">hello@shelfology.com</a>
<b>Shop</b>	<a href="http://www.shelfology.com">www.shelfology.com</a>
<b>Visit</b>	156 N 2nd E Rexburg, ID 83440
<b>Social</b>	@shelfology



**ON THE WALL  
DESIGNS  
BY OFF THE WALL  
DESIGNERS™**