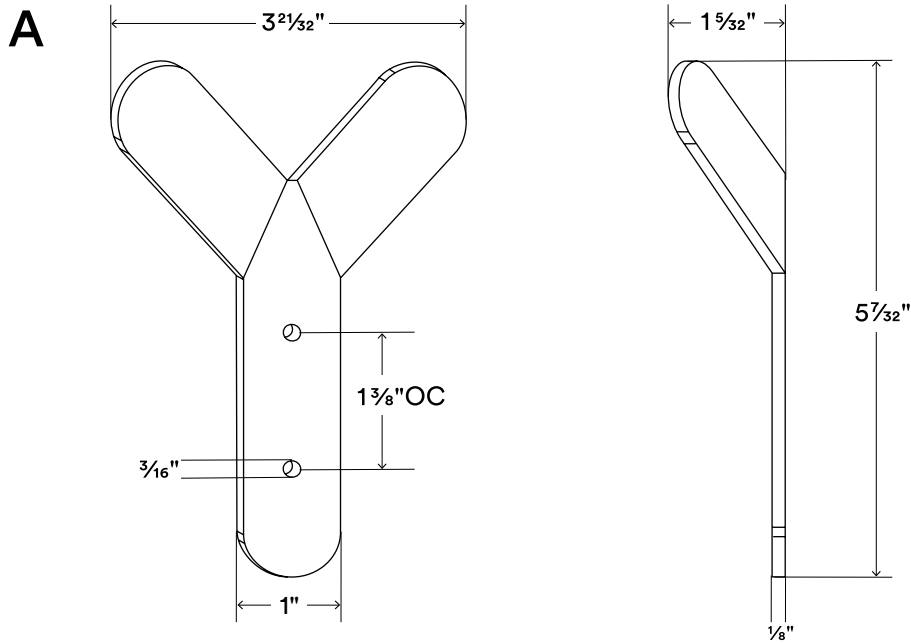


Why Not

Weight (lbs)
0.27

Load Capacity (lbs)
50



Why Not Wall Hook

Made from 1/8" thick hot-rolled steel.

Screw holes are 3/16" outside diameter (OD).

Supports 50lbs per hook when correctly mounted.*

Manufactured from top-quality American steel made with 70% recycled content.

Designed & crafted by radically talented humans right here in the U.S. of Awesome.

Shelfology radically recycles all production metal, wood and cardboard waste

***WARNING:** All hooks must be installed into studs, posts, or dry wall anchors. Failure to do so may result in saggy hooks, falling objects, or even injury.

**Drawings are representations only and not to scale.

© Shelfology 2025

Figure	Material	Thickness	Height	Width	Depth	Weight (lbs)	Load (lbs)
A	Steel	1/8"	5 7/32"	3 21/32"	1 5/32"	0.27	50

