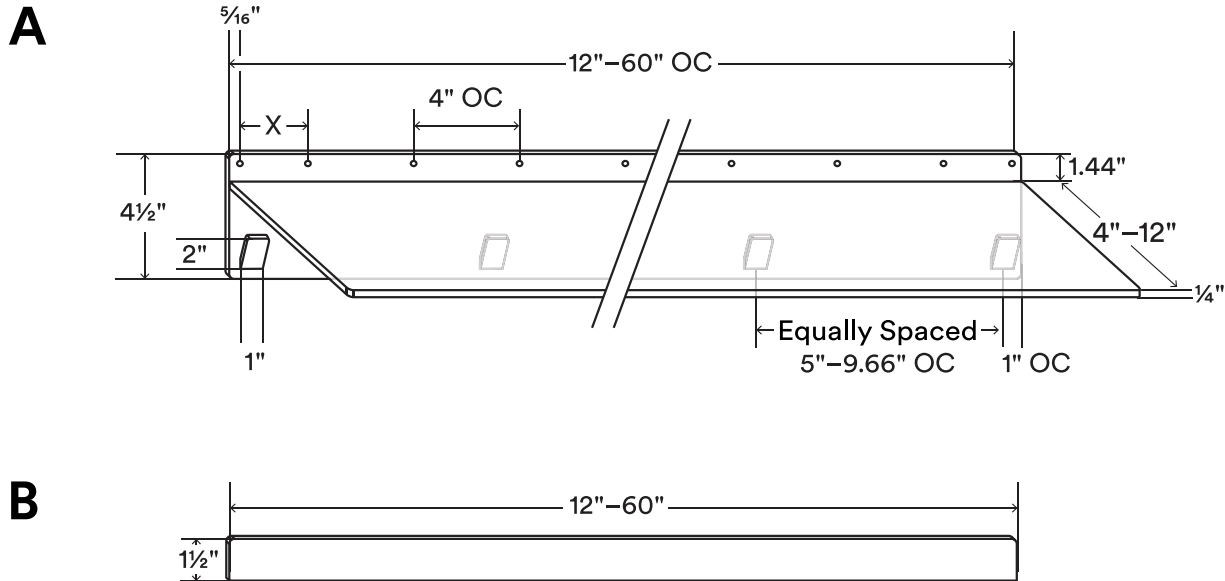


Tromso Coat Rack

Load Capacity Per Linear Ft (lbs)
90*

Shelf Depth Range (in)
4-12



About Tromso Coat Rack

Made from 1/4" thick, hot-rolled steel.

Set-through backbar construction hides welds for a clean look and insane strength.

Cover plate made with 14 gauge steel.

The first screw holes start 5/16" on center (OC) from each ends. Distance between first and second screw hole (X) varies upon shelf length. Holes continue 4" OC down the length of the bracket.

Countersunk screw holes are 0.19" outside diameter (OD).

Shelf weight is 0.1 lbs per square inch.

Number of Hooks per length:
 12-20 inches = 3 coat hooks
 21-30 inches = 4 coat hooks
 31-40 inches = 5 coat hooks
 41-50 inches = 6 coat hooks
 51-60 inches = 7 coat hooks

Manufactured from top-quality American steel made with 70% recycled content.

Designed and produced in beautiful middle-of-nowhere Idaho, with sweat, tears, and Ameri-quality awesomeness.

Shelfology radically recycles all production metal, wood, and cardboard waste.

***WARNING:** All coat racks must be installed into studs or posts. Failure to do so may result in saggy shelves, falling objects, or even injury.

**Drawings are representations only and not to scale.

© Shelfology 2023

Figure	Load Per Linear Foot	Back Bar	Length	Shelf Depth	Shelf Thickness	Weight Per Linear Foot
--------	----------------------	----------	--------	-------------	-----------------	------------------------

A	90 lbs	4 1/2" high	12"-60"	4-12"	1/4"	7-14"
---	--------	-------------	---------	-------	------	-------

B	NA	1 1/2" high	12"-60"	NA	NA	NA
---	----	-------------	---------	----	----	----

