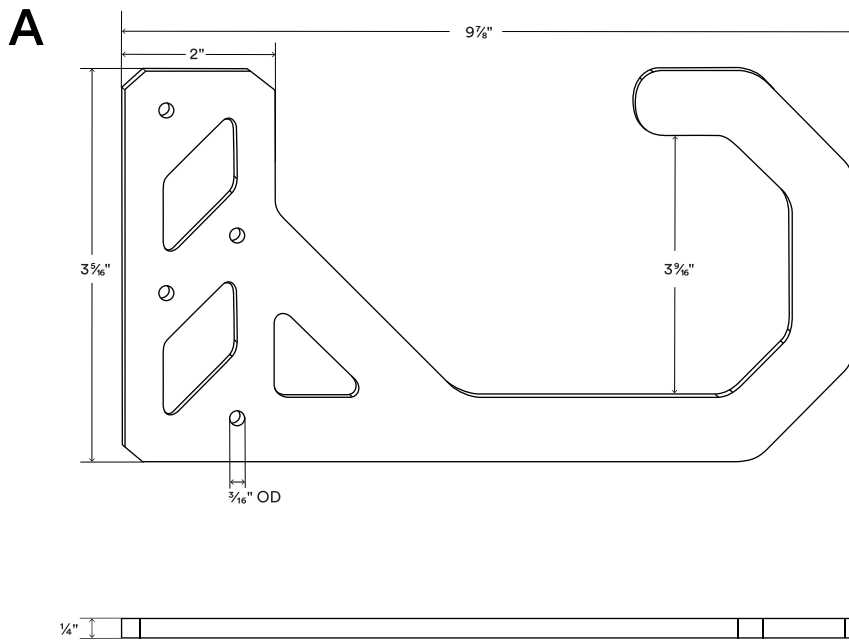


Study Hook

Load Capacity (lbs)
275

Weight (lbs)
1.55



About Study Utility Hook

Made from 1/4" thick hot-rolled steel.

Screw holes are set 1/2" and 1 1/2" OC from back edge of bracket.

Screw holes are 3/16" outside diameter (OD).

Supports 275lbs. per bracket when correctly mounted.*

Manufactured from top-quality American steel made with 70% recycled content.

Designed and produced in beautiful middle-of-nowhere Idaho, with sweat, tears, and Ameri-quality awesomeness.

Shelfology radically recycles all production metal, wood and cardboard waste.

****WARNING:** All brackets must be installed into studs or posts. Failure to do so may result in saggy brackets, falling objects, or even injury.

*****Drawings are representations only and not to scale.**

© Shelfology 2022

Figure	Bracket Depth	Bracket Thickness	Weight (lbs)	Load
A	9 7/8"	1/4"	1.55	275 lbs

