

Shelfology  
Certified Rad

Made In The U.S.A.  
By Woodworkers, For  
Woodworkers

→ Patent  
Pending  
Design.

⚡ Lightning  
Fast Lead  
Times.

★ Made  
In The  
USA.

# Study Utility Hook

## Install Guide










Installation  
Difficulty  
Rating (1-10)

5

| Table of Contents  | Page |
|--------------------|------|
| Installation Steps | 004  |
| Warnings           | 006  |
| Rad Tips           | 007  |

Required  
Tools

Optional  
Tools

|  |  |   |   |  |   |  |
|--|--|---|---|--|---|--|
| <p><b>Drill</b></p>    | <p><b>Level</b></p>            | <p><b>Innate Radness Done!</b></p>  |   |  |   |  |
|  |  |   | + |  |   |  |
| <p><b>Pencil</b></p>  | <p><b>Measuring Tape</b></p>  |   | + |  | + |  |
|  |  |   |   |  |   |  |
|  |  |   | + |  | + |  |
|  |  |   |   |  |   |  |



START ↓↓

# Meet Study Utility Hook: the strongest, sleekest, most hardcore utility bracket in the game. Made in-house by us in the United States of Awesome. Rad!

## What's In The Box



|  |   |   |   |   |  |
|--|---|---|---|---|--|
|  |   |   |   |   |  |
|  | + | + | + | + |  |
|  |   |   |   |   |  |
|  | + | + | + | + |  |
|  |   |   |   |   |  |
|  | + | + | + | + |  |
|  |   |   |   |   |  |



CERTIFIED  
RAD™

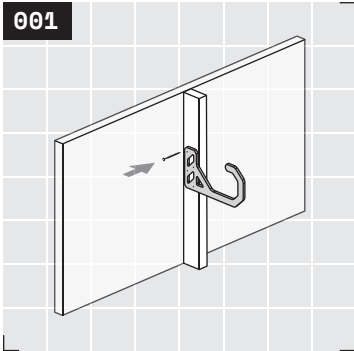
MADE IN THE  
U.S. OF A.

LIGHTNING FAST  
LEAD TIMES



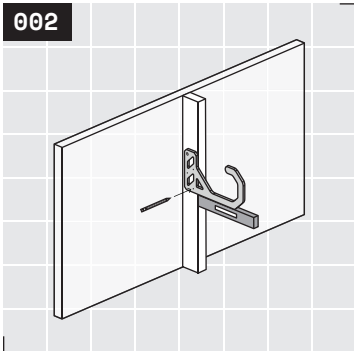
# Installation Steps

001



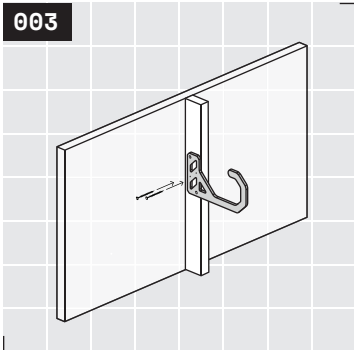
Yo! Here we go! Your Study Hook is designed to be installed directly onto wall studs. See **Rad Tip** ① on page 7 for more information. Position your hook on a stud or post, then install a wall fastener into an upper fastener hole location.

002



Straighten your hook using a level. Mark a lower fastener hole location with a fastener tip or a pencil. Install a second wall fastener into this location, then recheck for level.

003

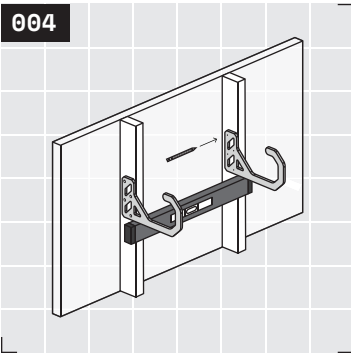


Install the remaining fasteners into remaining fastener holes. Your first Study hook is installed! Crack open and take a swig of your favorite non-alcoholic brew.

If you want to align multiple hooks to each other, continue on to the rest of the steps. If not, skip to step 6.

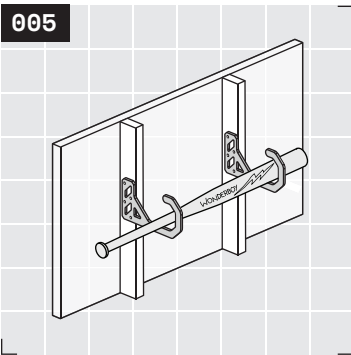


004



To mount additional hooks aligned with the first, use a level to align both hooks and repeat steps 1-3 with the second hook. See Rad Tip ☺.

005



Gently place your replica Wonder Boy™ bat on the hooks and admire. You are done!

If you need more help, please reach out to a shelf geek today.

hello@shelfology.com  
949.244.1083

CERTIFIED  
RAD™

MADE IN THE  
U.S. OF A.

LIGHTNING FAST  
LEAD TIMES



Whoa, you made it! We are vicariously stoking for you right now. Post your sweet shelfie on Instagram now!



@shelfology  
#radshelfie

Need a hand? Speak with a Shelf Geek at 949.244.1083 or hello@shelfology.com today.

How did we do? You'll get an email soon asking for a product review, and we'd be stoked if you oblige. You rock in advance!

## Warnings



① **Correct Install Required For Safe Use**

1.1 Hooks must be correctly installed into studs. Failure to do so may result in sagging hooks, falling objects, or serious injury.

② **Adhere To The Capacity Rating Of Your Specific Bracket**

2.1 Every Shelfology shelf has been engineered for use with specific capacities. Failure to follow our specified capacity ratings may result in sagging shelves, falling objects, or serious injury. Please reference the Study Utility Hook Spec Sheet for more information.

③ **California Proposition 65 Warning**

3.1 This product contains chemicals known to the State of California to cause cancer and birth defects or other reproductive harm. Don't eat this bracket. If you live outside of California, do whatever you want. For more boring information, visit [www.p65warnings.ca.gov](http://www.p65warnings.ca.gov).

④ **Not For Use In Wet Environments**

4.1 Powder coated carbon steel does not equal waterproof. If water has direct and constant contact with the hook, like in a shower or outdoors, it will rust. Hooks installed in these conditions are not covered by our warranty.

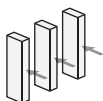
GET MORE RADNESS NOW AT SHELFOLGY.COM // NEED A HAND? 949.244.1083 // HELLO@SHELFOLGY.COM

# Rad Tips



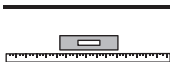
Study Utility Hook Install Guide  
Rad Tips

## ① Fasten Into All Studs & Blocking The Shelf Crosses



1.1 Study hooks are designed to be mounted on a fixed stud, post, or other structural surface. Drywall is not structural, and will not support this hook.

## ② Using a Longer Level

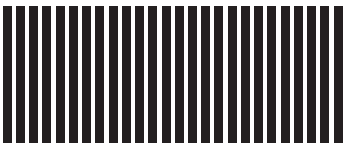


2.1 You can turn a short level into a long one by laying it on a straight object like a yard stick. Just hold it on the wall with your bullet level on top and measure!

CERTIFIED  
RAD™

MADE IN THE  
U.S. OF A.

LIGHTNING FAST  
LEAD TIMES



Need a hand? Speak with a Shelf Geek at 949.244.1083 or hello@shelfology.com today.

How did we do? You'll get an email soon asking for a product review, and we'd be stoked if you oblige. You rock in advance!

Call 949.244.1083  
Email hello@shelfology.com  
Shop www.shelfology.com  
Visit 156 N 2nd E Rexburg, ID 83440  
Social @shelfology



ON THE—  
WALL  
DESIGNS  
BY OFF  
THE WALL  
DESIGNERS™