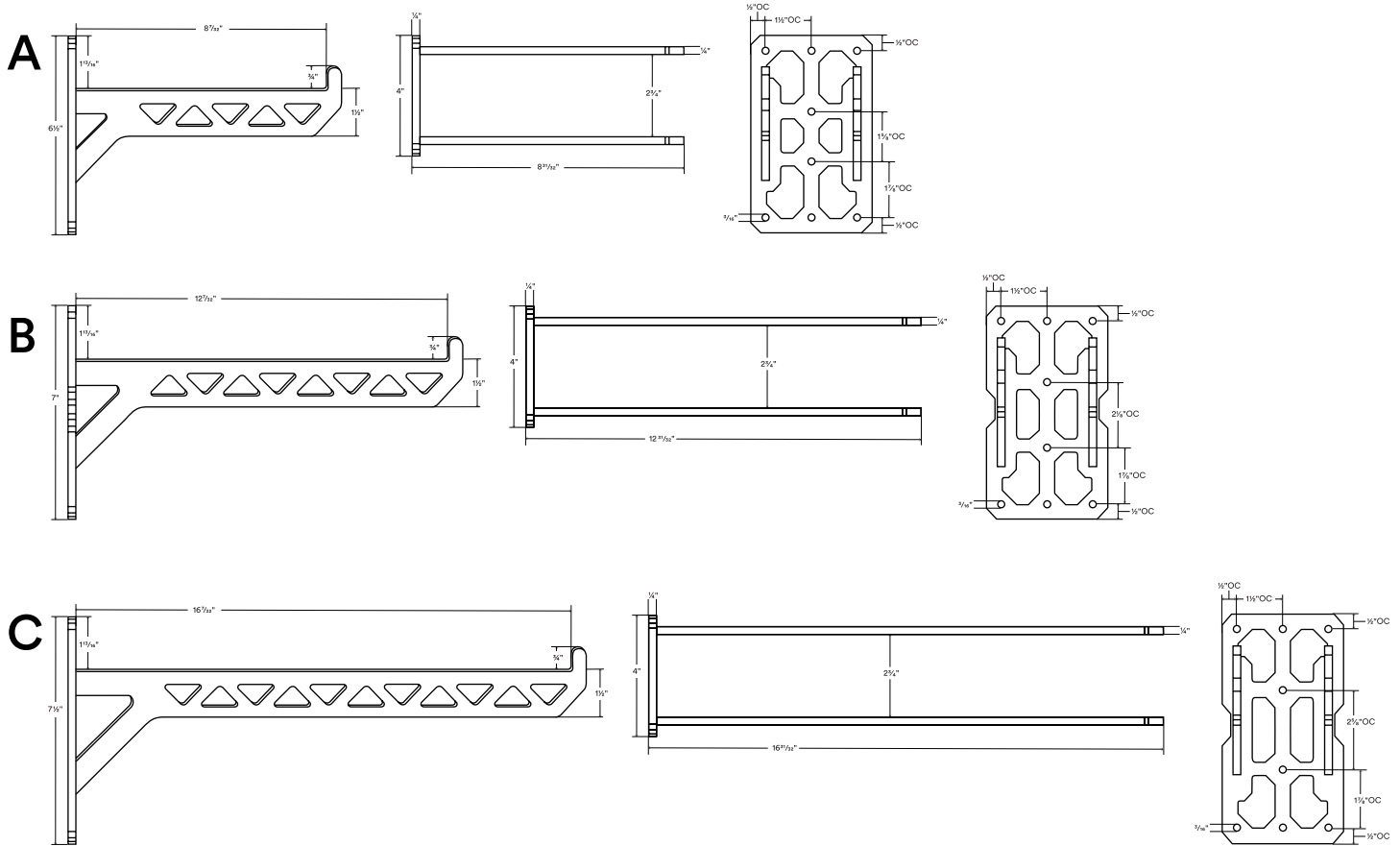


Study FM

Load Capacity (lbs)
190–630

Bracket Weight (lbs)
2.82–4.29



About Study FM Utility Bracket

Shelf bracket, back plate, and rods are 1/4" thick, solid hot-rolled steel.

Mounting screw holes are 3/16".

Bracket supports 190–630 lbs. when correctly mounted.*

Brackets are powder coated with any of our available colors, custom colors welcome.

Study FM can function as a shelf system when combined with additional brackets.**

Manufactured from top-quality American steel made with 70% recycled content.

Designed and produced in beautiful middle-of-nowhere Idaho, with sweat, tears, and Ameri-quality awesomeness.

Shelfology radically recycles all production metal, wood and cardboard waste.

***WARNING:** All brackets must be installed into studs or backing. Failure to do so may result in saggy shelves, falling objects, or even injury.

**To avoid shelf failure, 48" is the maximum recommended distance between brackets used as a shelf system. Any shelf slab combined with Study brackets should be anchored to a wall stud or backing with a set screw.

***Drawings are representations only and not to scale.

© Shelfology 2022

Figure	Width	Depth	Height	Thickness	Weight (lbs)	Finish	Load Capacity(lbs)
A	4"	8 ³ / ₁₆ "	6 ¹ / ₂ "	1/4"	2.82	Powder Coat	630
B	4"	12 ³ / ₁₆ "	7"	1/4"	3.53	Powder Coat	430
C	4"	16 ³ / ₁₆ "	7 ¹ / ₂ "	1/4"	4.29	Powder Coat	190

