

Shelfology
Certified Rad_

Made In The U.S.A.
By Woodworkers, For
Woodworkers_

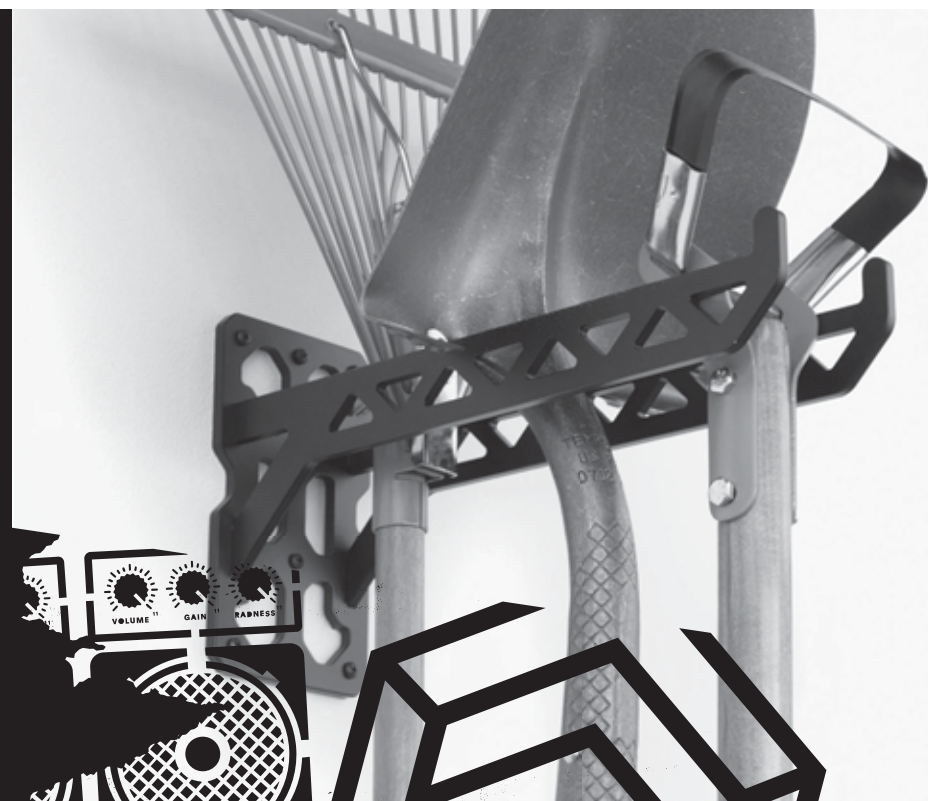
|
→ Patent
Pending
Design.

|
⚡ Lightning
Fast Lead
Times.

|
★ Made
In The
USA.

Study 2x4/2x6 Bracket

Install Guide



START ↓ ↓






Looking for an insanely tough shelf system that is easy to install? Study 2x4 and 2x6 Utility Bracket is your huckleberry. Made in-house by us in the United States of Awesome. Rad!



Study 2x4/2x6 Bracket Install Guide
Introduction

What's In The Box

What You'll Need

<p>Study 2x4 or 2x6 Bracket 1x</p> 	<p>Matching 1½" Wall Fastener Set 1x</p> 	<p>Your Favorite Soda 2x</p> 	
<p>Matching 1" Shelf Fastener Set 1x</p> 	<p>Wall Anchor Set 1x</p> 		
<p>+</p>	<p>+</p>	<p>+</p>	<p>+</p>
<p>+</p>	<p>+</p>	<p>+</p>	<p>+</p>

CERTIFIED
RAD™

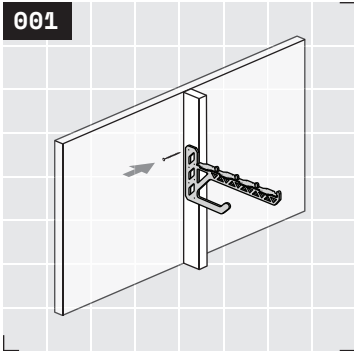
MADE IN THE
U.S. OF A.

LIGHTNING FAST
LEAD TIMES



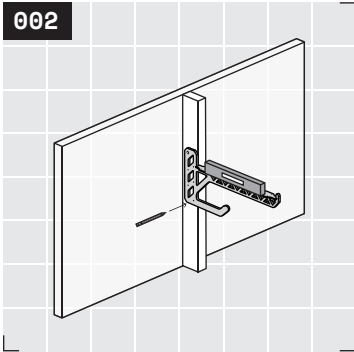
Installation Steps

001



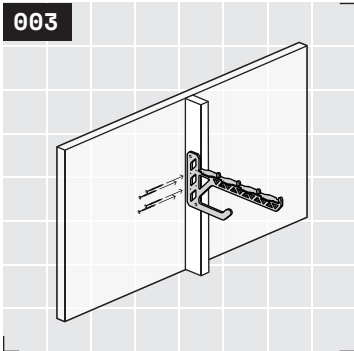
Yo! Here we go! Your Study 2x4 or 2x6 Bracket is designed to be installed directly onto wall studs. See **Rad Tip** ① on page 7 for more information. Position your bracket on a stud or post, then install a wall fastener into an upper fastener hole location.

002



Straighten your bracket using a level. Mark a lower fastener hole location with a fastener tip or a pencil. Install a second wall fastener into this location, then recheck for level.

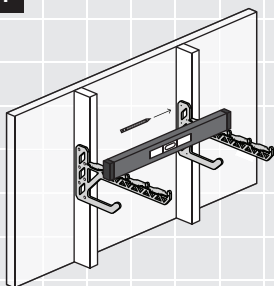
003



Install the remaining fasteners into remaining fastener holes. Your first Study 2x4 or 2x6 bracket is installed! Crack open and take a swig of your favorite non-alcoholic brew.

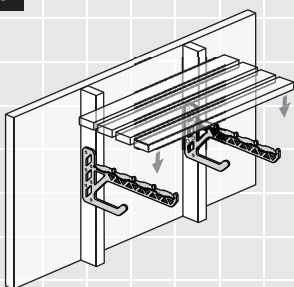


004



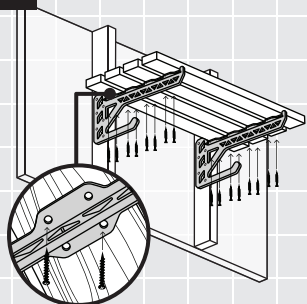
To mount additional brackets aligned with the first, use a level to align both brackets and **repeat steps 1–3** with the second bracket. See **Rad Tip** ② and ③.

005



After 2x4 or 2x6 boards have been cut to desired length, position boards between tabs on top bracket surface. See **Rad Tip** ④ on page 7 for shelf surface recommendations.

006



To secure the boards in position, install 1" shelf fasteners into boards from below through shelf fastener holes. At least 2 shelf fasteners per board are recommended beneath each bracket

Finish off your soda, it's time to celebrate your innate awesomeness! You finished the shelf install and deserve heaps of adulation. If you need more help, please reach out to a shelf geek today.

hello@shelfology.com
949.244.1083

CERTIFIED
RAD™

MADE IN THE
U.S. OF A.

LIGHTNING FAST
LEAD TIMES



Whoa, you made it! We are vicariously stoking for you right now. Post your sweet shelfie on Instagram now!



@shelfology
#radshelfie

Need a hand? Speak with a Shelf Geek at 949.244.1083 or hello@shelfology.com today.

How did we do? You'll get an email soon asking for a product review, and we'd be stoked if you oblige. You rock in advance!

Warnings



① **Correct Install Required For Safe Use**

1.1 Brackets must be correctly installed into studs or wall blocking. Failure to do so may result in sagging brackets, falling objects, or serious injury.

② **Adhere To The Capacity Rating Of Your Specific Bracket**

2.1 Every Shelfology shelf has been engineered for use with specific capacities. Failure to follow our specified capacity ratings may result in sagging shelves, falling objects, or serious injury. Please reference the Study 2x4 or 2x6 Spec Sheet for more information.

③ **California Proposition 65 Warning**

3.1 This product contains chemicals known to the State of California to cause cancer and birth defects or other reproductive harm. Don't eat this shelf. If you live outside of California, do whatever you want. For more boring information, visit www.p65warnings.ca.gov.

④ **Not For Use In Wet Environments**

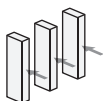
4.1 Powder coated carbon steel does not equal waterproof. If water has direct and constant contact with the bracket, like in a shower or outdoors, it will rust. Brackets installed in these conditions are not covered by our warranty.

GET MORE RADNESS NOW AT SHELFOLGY.COM
NEED A HAND? 949.244.1083 // HELLO@SHELFOLGY.COM

Rad Tips



① Fasten Into All Studs & Blocking The Shelf Crosses



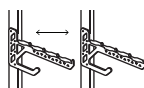
1.1 Study brackets are designed to be mounted on a fixed stud, post, or other structural surface. Drywall is not structural, and will not support this bracket.

② Using a Longer Level



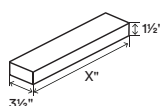
2.1 You can turn a short level into a long one by laying it on a straight object like a yard stick. Just hold it on the wall with your bubble level on top and measure!

③ Bracket Spacing



3.1 Bracket spacing is up to you. It's part of Study's insanely cool aesthetic. With that said, these brackets should never be more than 48" apart. Saggy shelves suck!

④ Study As a Shelf System

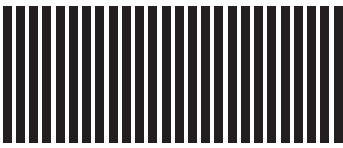


4.1 Study 2x4 is designed to accept industry standard 2x4 boards which measure 1 1/2" x 3 1/2" x length as the integrated shelf surface. Using smaller or thinner board sizes may result in an uneven shelf surface or sagging shelves.

CERTIFIED
RAD™

MADE IN THE
U.S. OF A.

LIGHTNING FAST
LEAD TIMES



Need a hand? Speak with a Shelf Geek at 949.244.1083 or hello@shelfology.com today.

How did we do? You'll get an email soon asking for a product review, and we'd be stoked if you oblige. You rock in advance!

Call 949.244.1083
Email hello@shelfology.com
Shop www.shelfology.com
Visit 156 N 2nd E Rexburg, ID 83440
Social @shelfology



ON THE—
WALL
DESIGNS
BY OFF
THE WALL
DESIGNERS™