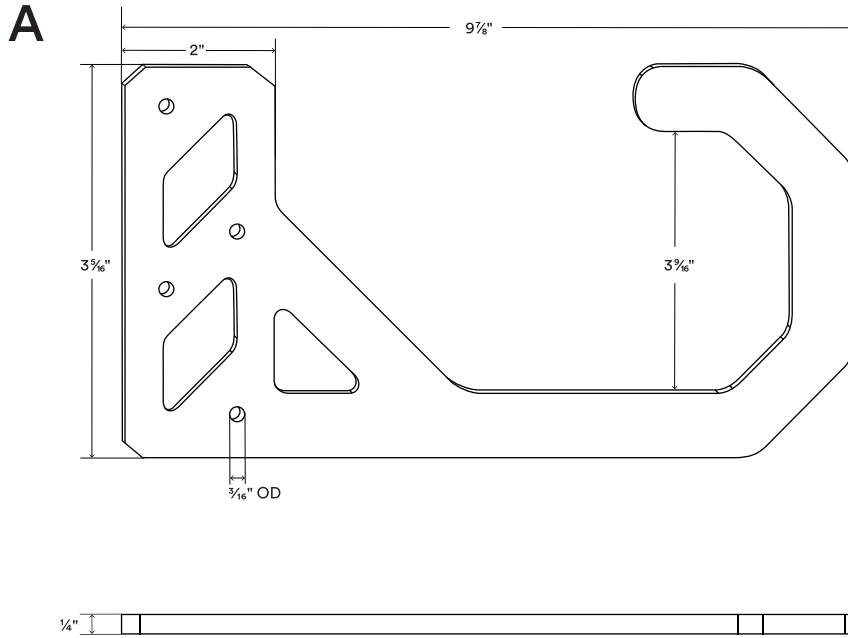


# Studly Hook

Load Capacity (lbs)  
**275**

Weight (lbs)  
**1.55**



## About Studly Utility Hook

Made from 1/4" thick hot-rolled steel.

Screw holes are set 1/2" and 1 1/2" OC from back edge of bracket.

Screw holes are 3/4" outside diameter (OD).

Supports 275lbs. per bracket when correctly mounted.\*

Designed & engineered in the U.S. of Awesome.

Shelfology radically recycles all production metal, wood and cardboard waste.

**\*\*WARNING:** All brackets must be installed into studs or posts. Failure to do so may result in saggy brackets, falling objects, or even injury.

\*\*\*Drawings are representations only and not to scale.

© Shelfology 2025

Figure	Bracket Depth	Bracket Thickness	Weight (lbs)	Load
A	9 7/8"	1/4"	1.55	275 lbs

