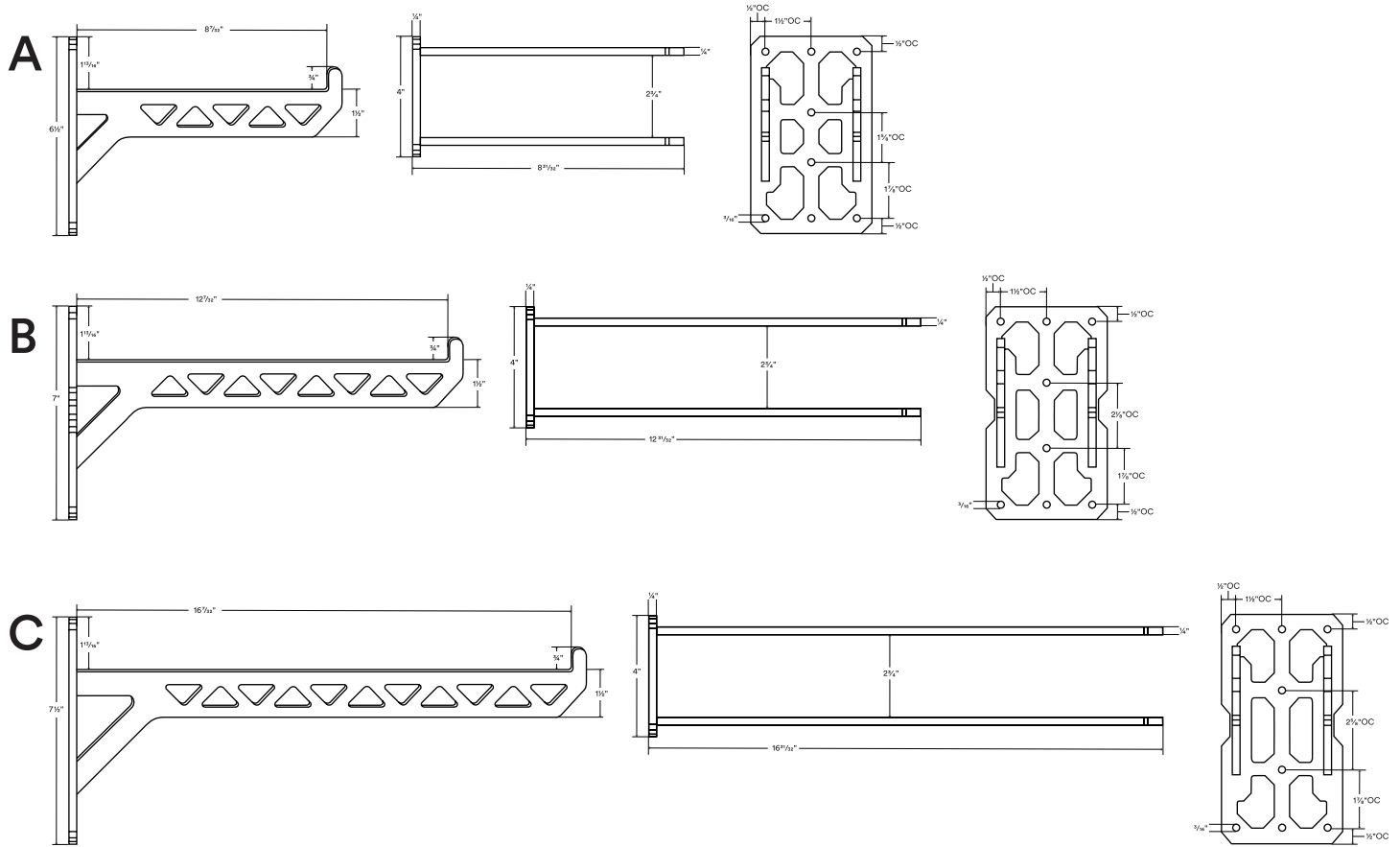


# Studyly FM

Load Capacity (lbs)  
**190–630**

Bracket Weight (lbs)  
**2.82–4.29**



## About Studyly FM Utility Bracket

Shelf bracket, back plate, and rods are 1/4" thick, solid hot-rolled steel.

Mounting screw holes are 3/16".

Bracket supports 190–630 lbs. when correctly mounted.\*

Brackets are powder coated with any of our available colors, custom colors welcome.

Studyly FM can function as a shelf system when combined with additional brackets.\*\*

Designed & engineered in the U.S. of Awesome.

Shelfology radically recycles all production metal, wood and cardboard waste.

**\*WARNING:** All brackets must be installed into studs or backing. Failure to do so may result in saggy shelves, falling objects, or even injury.

\*\*To avoid shelf failure, 48" is the maximum recommended distance between brackets used as a shelf system. Any shelf slab combined with Studyly brackets should be anchored to a wall stud or backing with a set screw.

\*\*\*Drawings are representations only and not to scale.

© Shelfology 2025

Figure	Width	Depth	Height	Thickness	Weight (lbs)	Finish	Load Capacity(lbs)
A	4"	8 <sup>31</sup> / <sub>32</sub> "	6 <sup>1</sup> / <sub>2</sub> "	1/4"	2.82	Powder Coat	630
B	4"	12 <sup>31</sup> / <sub>32</sub> "	7"	1/4"	3.53	Powder Coat	430
C	4"	16 <sup>27</sup> / <sub>32</sub> "	7 <sup>1</sup> / <sub>2</sub> "	1/4"	4.29	Powder Coat	190

