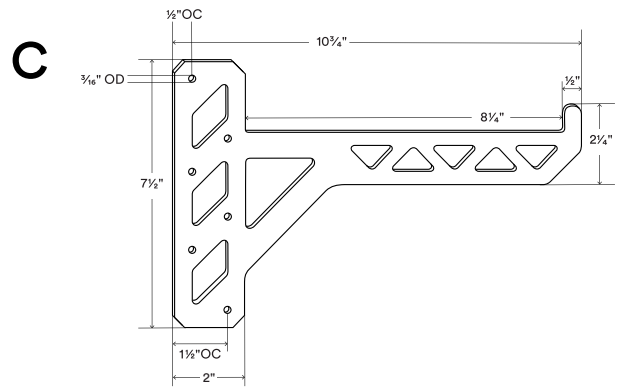
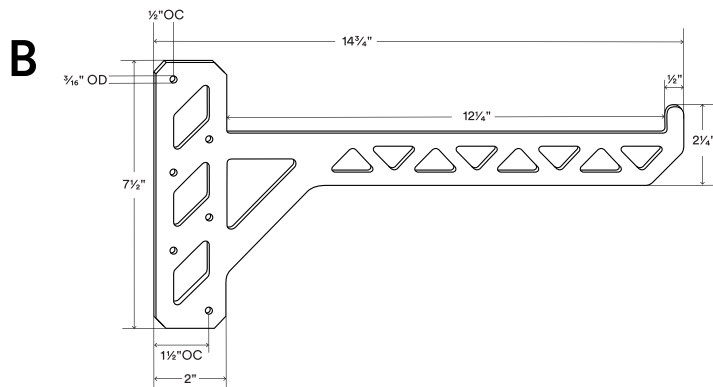
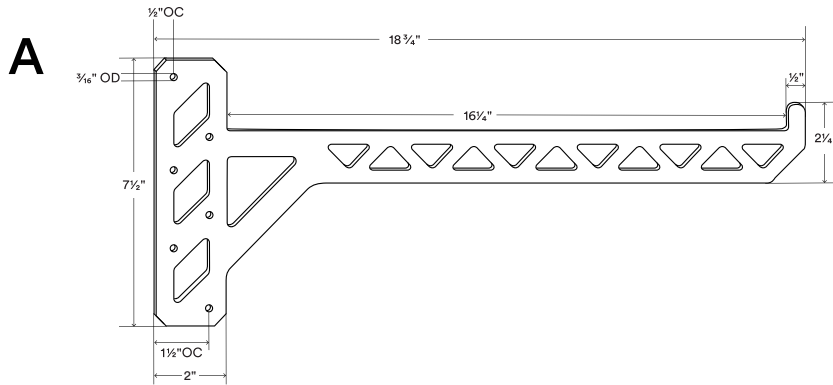


Study

Load Capacity (lbs)
100-600

Shelf Depth Range (in)
10³/₄-18³/₄



About Study Utility Bracket

Made from 1/4" thick hot-rolled steel.

Screw holes are set 1/2" and 1 1/2" OC from back edge of bracket.

Screw holes are 3/16" outside diameter (OD).

Supports 100 to 600lbs. per bracket when correctly mounted.*

Manufactured from top-quality American steel made with 70% recycled content.

Designed and produced in beautiful middle-of-nowhere Idaho, with sweat, tears, and Ameri-quality awesomeness.

Shelfology radically recycles all production metal, wood and cardboard waste.

****WARNING:** All brackets must be installed into studs or posts. Failure to do so may result in saggy brackets, falling objects, or even injury.

*****Drawings** are representations only and not to scale.

© Shelfology 2022



| Figure | Bracket Depth | Bracket Thickness | Shelf Depth | Weight (lbs) | Load |
|--------|---------------|-------------------|-------------|--------------|--------|
| A | 18 3/4" | 1/4" | 16" | 2.27 | 100lbs |
| B | 14 3/4" | 1/4" | 14" | 1.93 | 200lbs |
| C | 10 3/4" | 1/4" | 12" | 1.59 | 600lbs |

