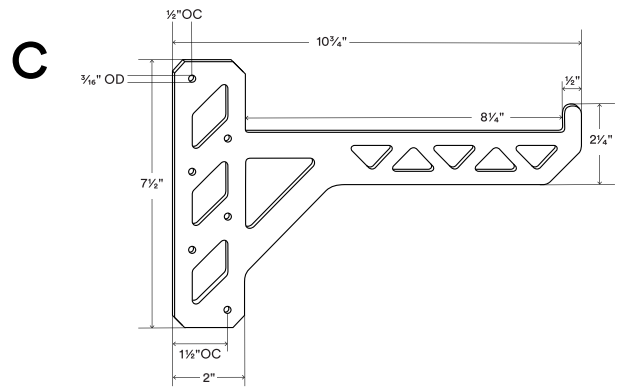
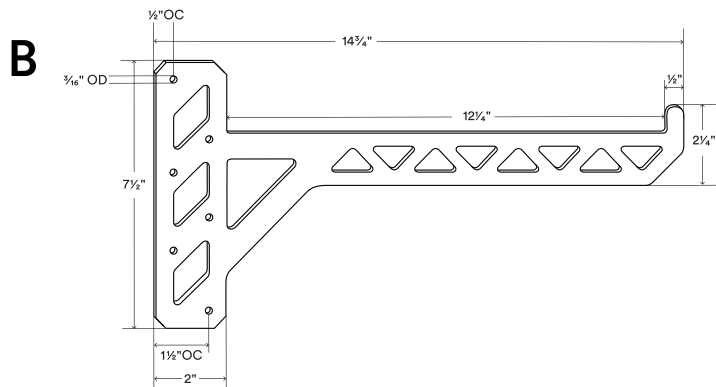
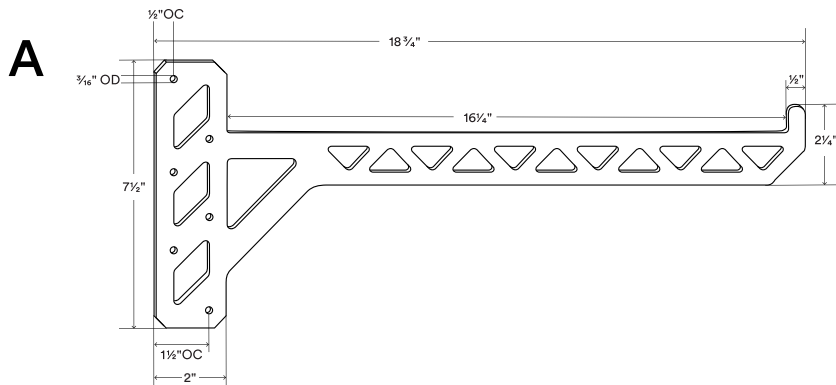


Study

Load Capacity (lbs)
100–600

Shelf Depth Range (in)
10³/₄–18³/₄



About Study Utility Bracket

Made from 1/4" thick hot-rolled steel.

Screw holes are set 1/2" and 1 1/2" OC from back edge of bracket.

Screw holes are 3/16" outside diameter (OD).

Supports 100 to 600lbs. per bracket when correctly mounted.*

Designed & engineered in the U.S. of Awesome.

Shelfology radically recycles all production metal, wood and cardboard waste.

****WARNING:** All brackets must be installed into studs or posts. Failure to do so may result in saggy brackets, falling objects, or even injury.

***Drawings are representations only and not to scale.

© Shelfology 2025

Figure	Bracket Depth	Bracket Thickness	Shelf Depth	Weight (lbs)	Load
A	18 3/4"	1/4"	16"	2.27	100lbs
B	14 3/4"	1/4"	12"	1.93	200lbs
C	10 3/4"	1/4"	8"	1.59	600lbs

