

Shelfology  
Certified Rad™

Designed & Crafted  
By Radically Talented  
Humans Right Here In The  
U.S. Of Awesome\_

→ Patent  
Pending  
Design.

⚡ Lightning  
Fast Lead  
Times.

# Shortie Shelf

## Install Guide





# Installation Difficulty Rating (1-10)

# 5

Table of Contents	Page
Installation Steps	004
Warnings	006
Rad Tips	007

## Required Tools

## Optional Tools

Drill	Level	¼" Diameter Drill Bit	Stud Finder
<b>Measuring Tape</b>	<b>Pencil</b>		
<b>¼" Diameter Drill Bit</b>			

GET MORE RADNESS NOW AT SHELFLOGY.COM  
NEED A HAND? 949.244.1083 // HELLO@SHELFLOGY.COM



START ↓ ↓

# Short shelves. Big possibilities. Transform any space with easy, weekend-ready shelves designed to fit, flex, and inspire with Shortie. Designed & Crafted By Radically Talented Humans Right Here In The U.S. Of Awesome.

## What's In The Box

## What You'll Need

Shortie Bracket 1x	Shortie Shelf Slab 1x	Innate Radness Done!	Your Favorite Soda 2x
Matching 2" Wall Fastener Set 1x	Set Screws 2x		
Wall Anchor Set 1x			

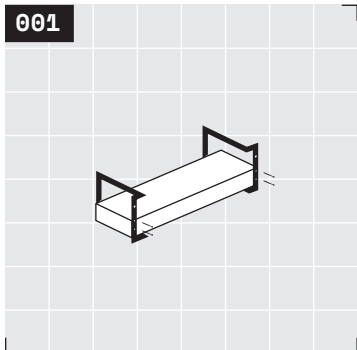
DESIGNED & CRAFTED BY RADICALLY TALENTED HUMANS RIGHT HERE IN THE U.S. OF AWESOME.

LIGHTNING FAST LEAD TIMES.



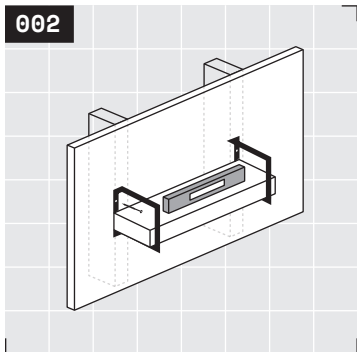
# Installation Steps

001



Yo, here we go! Fasten the Shortie brackets to your Shortie shelf.

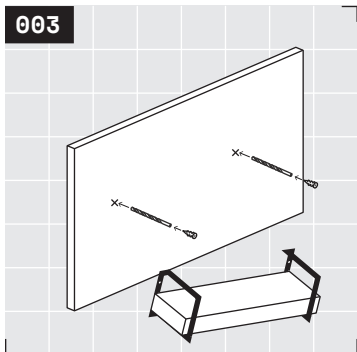
002



Position the assembled shelf on your wall, ideally on a stud or blocking, and level. **See Rad Tip ① on page 7** if you don't know what blocking is. Mark the fastener hole with the fastener tip.

If your shelf is positioned on studs or blocking, skip to step 4. If not, proceed to step 3.

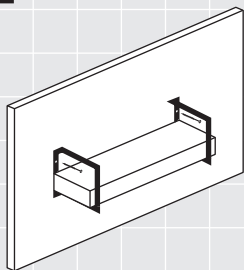
003



Remove the shelf from your wall. Pre-drill all marked fastener locations with a 1/4" drill bit, and install drywall anchors in each fastener hole location. Take a swig of your brew.

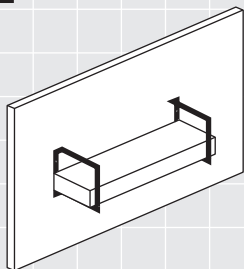


004



Replace shelf on the wall. Install screws into both fastener hole locations. Vertically level each bracket.

005



Stand back and relax. You did it! Finish off your soda, it's time to celebrate your innate awesomeness! You finished the shelf install and deserve heaps of adulation. If you need more help, please reach out to a shelf geek today.

hello@shelfology.com  
949.244.1083





Whoa, you made it! We are vicariously stoking for you right now. Post your sweet shelfie on Instagram now!



@shelfology  
#radshelfie

Need a hand? Speak with a Shelf Geek at 949.244.1083 or hello@shelfology.com today.

How did we do? You'll get an email soon asking for a product review, and we'd be stoked if you oblige. You rock in advance!

## Warnings



**1** Correct Install Required For Safe Use

1.1 Shelf brackets must be correctly installed into studs or wall blocking. Failure to do so may result in sagging shelves, falling objects, or serious injury.

**2** Adhere To The Capacity Rating Of Your Specific Bracket

2.1 Every Shelfology bracket weight class and length has been engineered for use with specific shelf capacities/dimensions. Failure to follow our specified capacity ratings and correct shelf dimensions may result in sagging shelves, falling objects, or serious injury. Please reference the Shortie Spec Sheet for more information.

**3** California Proposition 65 Warning

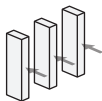
3.1 This product contains chemicals known to the State of California to cause cancer and birth defects or other reproductive harm. Don't eat this bracket. If you live outside of California, do whatever you want. For more boring information, visit [www.p65warnings.ca.gov](http://www.p65warnings.ca.gov).

**4** This Product May Make Others Incredibly Jealous

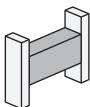
4.1 Any Shelfology Certified Rad™ product should be flaunted with caution around friends, loved ones, and even complete strangers, as minimal or extreme jealousy may occur. Shelf responsibly.



①  
**Fasten Into  
All Studs  
& Blocking  
The Bracket  
Crosses**



**1.1** Studs are the vertical 2x4 boards that make up the bones of your walls. They provide solid structure for your shelves to attach to.



**1.2** Blocking is typically added later between studs in the wall for additional support to mount shelves to, and is usually made from 2x4 or 2x6 lumber.

DESIGNED & CRAFTED BY RADICALLY TALENTED  
HUMANS RIGHT HERE IN THE U.S. OF AWESOME.

LIGHTNING FAST  
LEAD TIMES.

---

**Need a hand? Speak with a Shelf Geek at 949.244.1083 or [hello@shelfology.com](mailto:hello@shelfology.com) today.**

**How did we do? You'll get an email soon asking for a product review, and we'd be stoked if you oblige. You rock in advance!**

---

**Call** 949.244.1083  
**Email** [hello@shelfology.com](mailto:hello@shelfology.com)  
**Shop** [www.shelfology.com](http://www.shelfology.com)  
**Visit** 156 N 2nd E Rexburg, ID 83440  
**Social** @shelfology

