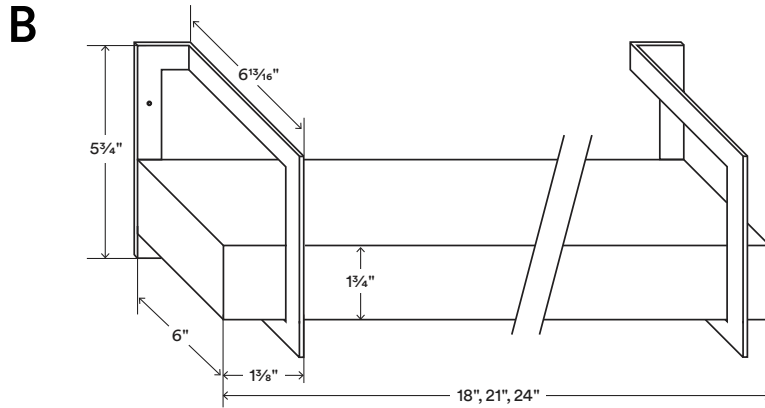
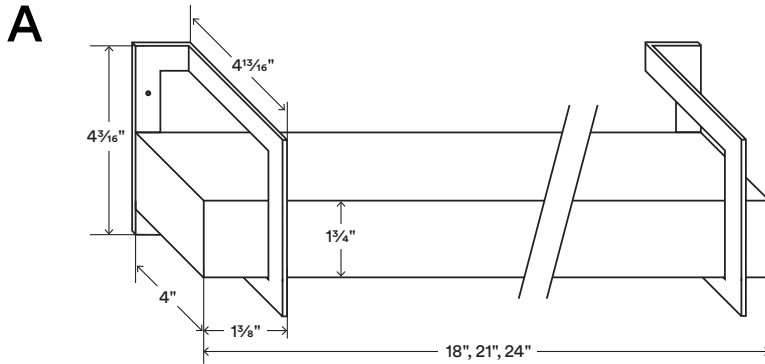


Shortie

Load Capacity Per Bracket (lbs.)
18, 45

Shelf Depth (in.)
4, 6



About Shortie

Bracket is 1/8" thick solid hot-rolled steel.

Available in two depths (4", 6") and three lengths (18", 21", 24").

Manufactured from top-quality American steel made with 70% recycled content.

Designed & crafted by radically talented humans right here in the U.S. of Awesome.

Shelfology radically recycles all production metal, wood and cardboard waste.

****WARNING:** All brackets must be installed into studs or posts. Failure to do so may result in saggy shelves, falling objects, or even injury.

*****Drawings** are representations only and not to scale.

© Shelfology 2025

Figure	Shelf Length	Shelf Depth	Shelf Thickness	Bracket Weight	Load
A	18", 21", 24"	4"	1 3/4"	0.391 lbs	90 lbs
B	18", 21", 24"	6"	1 3/4"	0.548 lbs	36 lbs