

Shelfology  
Certified Rad\_

Made In The U.S.A.  
By Woodworkers, For  
Woodworkers\_

→ Unique  
Patented  
Design.

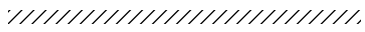
⚡ Lightning  
Fast Lead  
Times.

★ Made  
In The  
USA.

# Shingle Wall Hook

## Install Guide










Installation  
Difficulty  
Rating (1-10)

4

Table of Contents	Page
Installation Steps	004
Warnings	006
Rad Tips	007

Required  
Tools

Optional  
Tools

<p><b>Drill</b></p> 	<p><b>Level</b></p> 	<p><b>¼" Diameter Drill Bit</b></p> 				
			+			
<p><b>Measuring Tape</b></p> 	<p><b>Pencil</b></p> 		+	+		
					+	+
			+	+	+	+







START ↓↓

Featuring 30+ Colors and 3 Solid Hardwood backplate options, Shingle doesn't skimp on style or versatility. Made in-house by us in the United States of Awesome. Rad!

What's In The Box

What You'll Need

<p>Shingle Wall Hook 1x</p> 	<p>Matching 1½" Wall Fastener Set 1x</p> 	<p>Innate Radness Done!</p> 	+
<p>Wall Anchor Set 1x</p> 	+	+	+
+	+	+	+
+	+	+	+

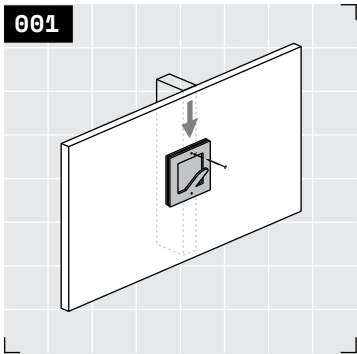
CERTIFIED  
RAD

MADE IN THE  
U.S. OF A.

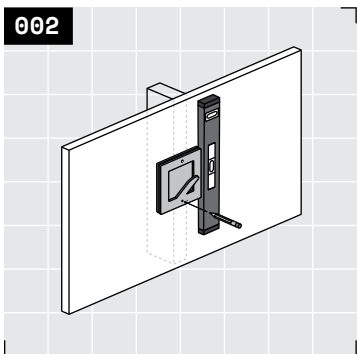
LIGHTNING FAST  
LEAD TIMES



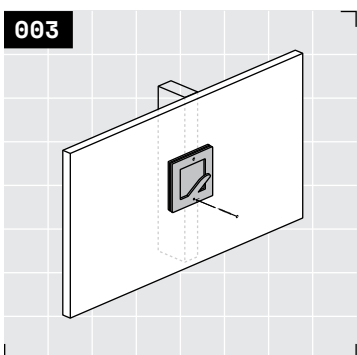
# Installation Steps



Yo, let's go! Position your Shingle hook on your wall in the desired location. Align the top fastener hole with wall area backed by a stud or blocking. See **Rad Tip** ① on page 7 for more information on blocking. Use a drill to install one of the included 1½" fasteners into this location. If there is no stud or blocking, skip to step 4.



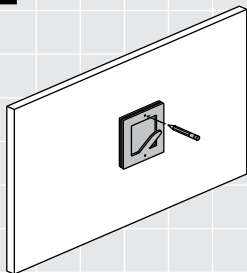
Level the Shingle hook. Mark the lower fastener hole location with a pencil or fastener tip.



Install second 1½" fastener in lower marked location. If your hook is on studs or blocking, proceed to step 4.

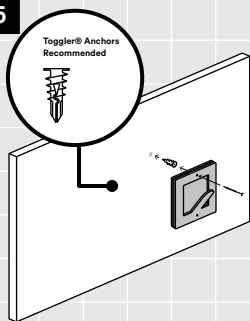


004



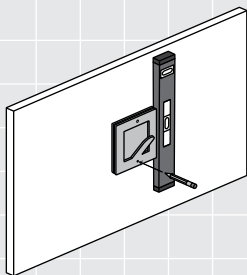
Confirm that your hook is on the wall in the desired location. Mark upper fastener hole with pencil or fastener tip. Pre-drill marked location with  $\frac{1}{4}$ " drill bit, making a pilot hole for a wall anchor.

005



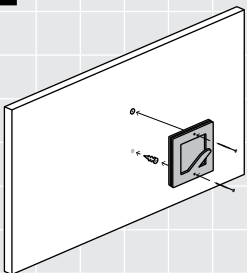
Install a wall anchor into the fastener hole, then install your hook and first  $1\frac{1}{2}$ " fastener. Fasten less than full tightness.

006



Level the hook. Mark the second hole with a pencil or fastener tip. Uninstall the first  $1\frac{1}{2}$ " fastener and hook. Pre-drill a second pilot hole with  $\frac{1}{4}$ " drill bit.

007



Install the second wall anchor. Install your hook with both matching  $1\frac{1}{2}$ " fasteners, then voila! Stand back and relax, you did it! Give your cat a celebratory fist bump, if present. If you need more help, please reach out to a shelf geek today.

hello@shelfology.com  
949.244.1083





Whoa, you made it! We are vicariously stoking for you right now. Post your sweet shelfie on Instagram now!



@shelfology  
#radshelfie

Need a hand? Speak with a Shelf Geek at 949.244.1083 or hello@shelfology.com today.

How did we do? You'll get an email soon asking for a product review, and we'd be stoked if you oblige. You rock in advance!

## Warnings



**1** Correct Install Required For Safe Use

1.1 Wall hooks must be correctly installed into studs or wall blocking. Failure to do so may result in falling objects or serious injury.

**2** Adhere To The Capacity Rating Of Your Specific Wall Hook

2.1 Every Shelfology wall hook has been engineered for use with specific capacities/ dimensions. Failure to follow our specified capacity ratings and correct dimensions may result in falling objects or serious injury. Please refer to this product's spec sheet for more information.

**3** California Proposition 65 Warning

3.1 This product contains chemicals known to the State of California to cause cancer and birth defects or other reproductive harm. Don't eat this hook. If you live outside of California, do whatever you want. For more boring information, visit [www.p65warnings.ca.gov](http://www.p65warnings.ca.gov).

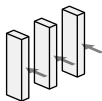
**4** This Product May Make Others Incredibly Jealous

4.1 Any Shelfology Certified Rad™ product should be flaunted with caution around friends, loved ones, and even complete strangers, as minimal or extreme jealousy may occur. Shelf responsibly.

GET MORE RADNESS NOW AT SHEFLOGY.COM  
NEED A HAND? 949.244.1083 // HELLO@SHEFLOGY.COM

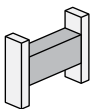


## ① Fasten Into All Studs & Blocking The Hook Crosses



**1.1** Studs are the vertical 2x4 boards that make up the bones of your walls. They provide solid structure for your wall hooks to attach to.

When you install Shingle correctly, each hook will handily hold up to 150 lbs.

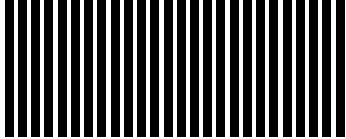


**1.2** Blocking is typically added later between studs in the wall for additional support to mount hooks to, and is usually made from 2x4 or 2x6 lumber.

CERTIFIED  
RAD

MADE IN THE  
U.S. OF A.

LIGHTNING FAST  
LEAD TIMES



Need a hand? Speak with a Shelf Geek at 949.244.1083 or hello@shelfology.com today.

How did we do? You'll get an email soon asking for a product review, and we'd be stoked if you oblige. You rock in advance!

Call 949.244.1083  
Email hello@shelfology.com  
Shop www.shelfology.com  
Visit 156 N 2nd E Rexburg, ID 83440  
Social @shelfology



ON THE WALL  
DESIGNS  
BY OFF THE WALL  
DESIGNERS



U.S. Patent No. D977,956

© Shelfology 2023  
Printed in The USA