

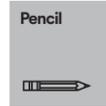
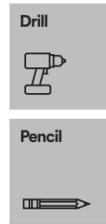
# Runda Coat Rack Install Guide

Installation Difficulty Rating (1-10):

**3**

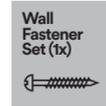
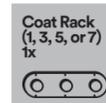


Required Installation Tools:



Optional Installation Tools:

What's Included:



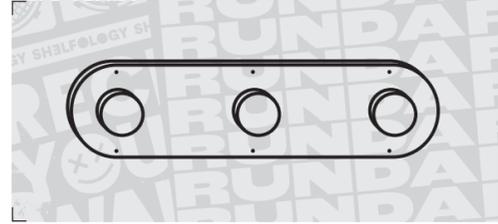
What You'll Need:

Still Need Help?

Speak with a Shelfologist today or see back of installation guide for further motivational support.

How Did We Do?

You'll get an email soon asking for a product review, and we'd be stoked if you oblige. You rock in advance!



Made In The USA.

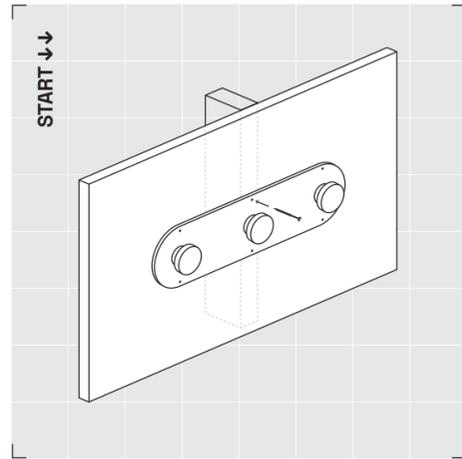
Patent Pending Design.



Office  
Email  
Shop  
Physical  
Social

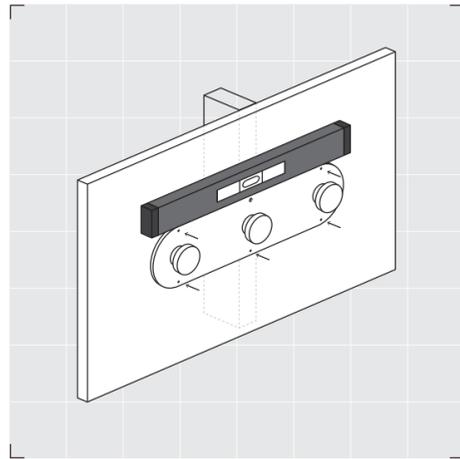
949.244.1083  
hello@shelfology.com  
www.shelfology.com  
156 N 2 E Rexburg, ID 83440  
@shelfology.com

Shelfology



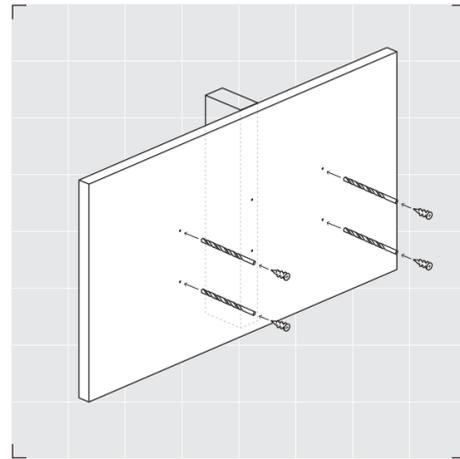
**001**

Nice new Runda coat rack! Now let's get it on the wall. Place your coat rack on the wall in desired position. Use a drill to install a fastener into an upper location. We recommend installing your coat rack on studs or blocking wherever possible. See Rad Tip 0 below for more details.



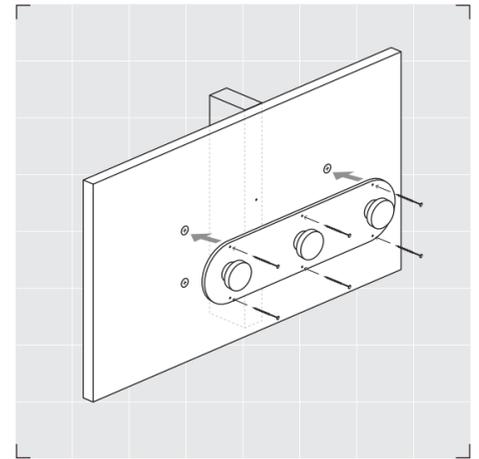
**002**

Level your coat rack, use bubble level if needed. Mark all remaining fastener locations with a pencil or screw tip. Remove the coat rack again.



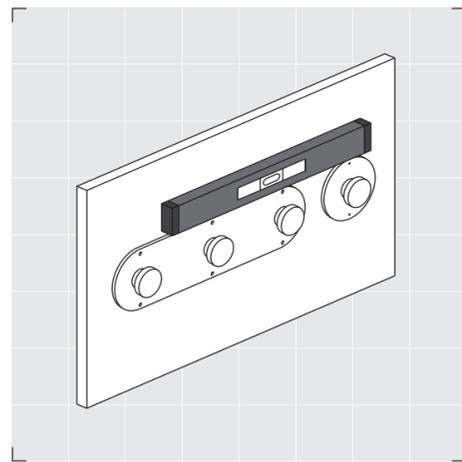
**003**

Drill pilot holes using a 1/4" diameter drill bit in all fastener locations not backed by a stud or blocking. Install wall anchors into these locations. If you are installing into masonry, see Rad Tip 2 below.



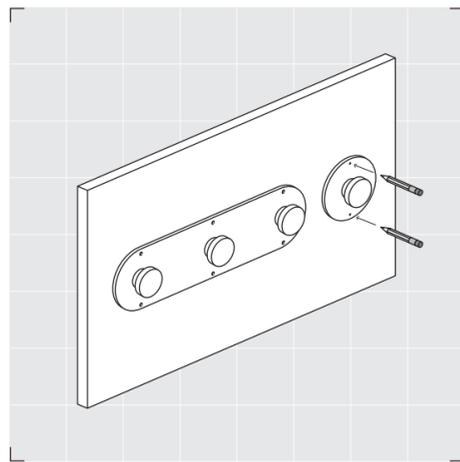
**004**

Reinstall your coat rack using wall fasteners. If you have more coat racks to install, continue to step 5. Otherwise, skip to step 9.



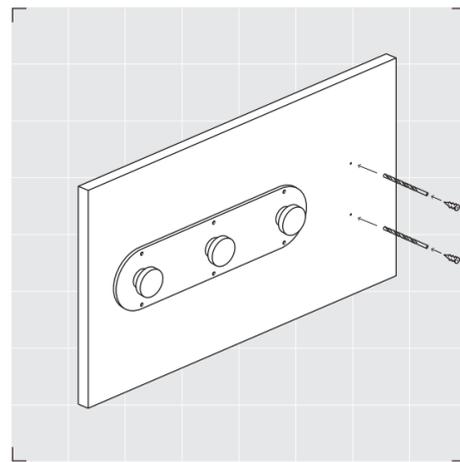
**005**

To add an additional coat rack, place it in the desired position, and align it with the first hook using a bubble level.



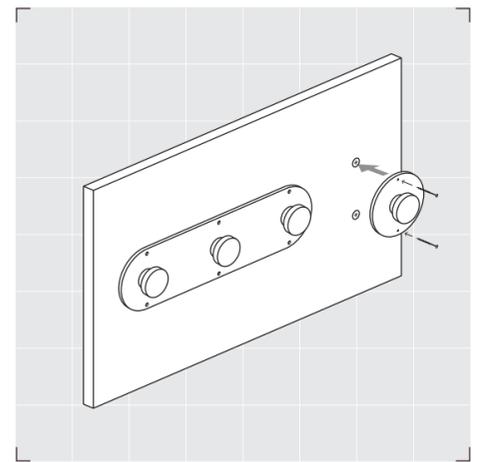
**006**

Mark all fastener locations with a pencil or fastener tip.



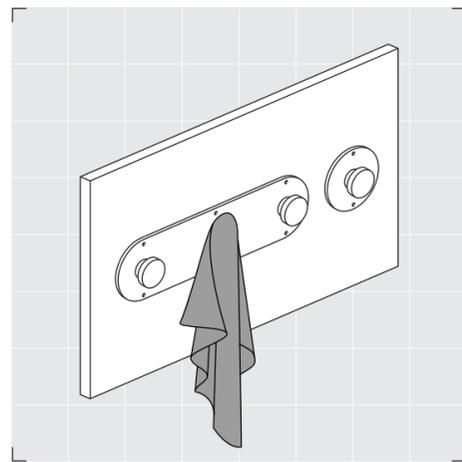
**007**

Repeat instructions in laid out above in step 3: Drill pilot holes using a 1/4" diameter drill bit in all fastener locations not backed by a stud or blocking. Install wall anchors into these locations.



**008**

Reinstall your coat rack using wall fasteners. To align additional hooks, repeat steps 5 through 7.



**009**

Stand back and relax, you did it! Give your cat a celebratory fist bump, if present. Hang your silk Sense and Sensibility™ replica ascot tie and admire!

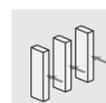


**010**

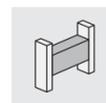
Post your sweet selfie on Instagram. Warning: Rad prizes may apply to selfie of the week. @shelfology #radselfie

## Rad Tips

### 1 Studs & Blocking

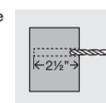


1.1 Studs are the vertical lumber supports that provide the structure to your walls. Fastening your product in these locations is far superior to drywall, which is a finish material that offers far less structural support.

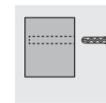


1.2 Blocking refers to pieces of wood or other material that run between wall studs in order to provide support and attachment sites for your shelf or hook.

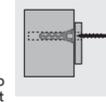
### 2 Masonry Installation



2.1 Drill each marked location with a 1/4" diameter masonry drill bit. Drill at least 2 1/2" deep to allow for the 2 1/2" wall fastener.



2.2 Using a hammer, tap masonry anchor into hole, flush with wall surface.

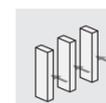


2.3 Hold coat rack in position, and install masonry screws into anchors.

## Warnings



### Use All Studs, Blocking & Anchors



Coat racks must be correctly installed into studs, wall blocking, or wall anchors. Failure to do so may result in sagging coat racks, falling objects, or serious injury.

# ROCK THE NEW LOOK



Shelfology®