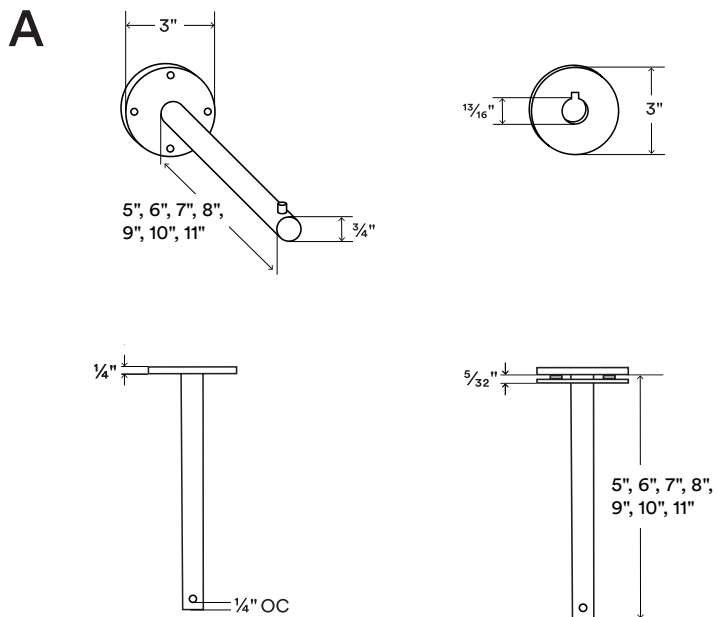


Roderick Hanger Hook

Load Capacity (lbs)
80 lbs

Hook Depth Range (in)
5-11



About Roderick Hanger Hook

Hook back plate is 1/4" thick, cover plate 5/32", rod 3/4" diameter. All are solid hot-rolled steel. Mounting screw countersink holes are 1/32" x 3/16".

Hooks are powder coated with any of our available colors, custom colors welcome.

Hook supports up to 80 lbs. per rod when correctly mounted.*

Manufactured from top-quality American steel made with 70% recycled content.

Designed and produced in beautiful middle-of-nowhere Idaho, with sweat, tears, and Ameri-quality awesomeness.

Shelfology radically recycles all production metal, wood and cardboard waste.

***WARNING:** All hooks must be installed into studs or posts. Failure to do so may result in saggy hooks, falling objects, or even injury.

**Drawings are representations only and not to scale.

© Shelfology 2024

Figure	Load Per Rod	Depth	Finish
A	80 lbs	5"	Powder coat
A	80 lbs	6"	Powder coat
A	80 lbs	7"	Powder coat
A	80 lbs	8"	Powder coat
A	80 lbs	9"	Powder coat
A	80 lbs	10"	Powder coat
A	80 lbs	11"	Powder coat