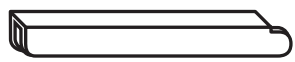


Rem

Cabinet Pull Installation Guide



Tools You'll Need

Drill	
Measuring Tape	
Level or Straight Edge	
Pencil	
.086" Diam. (#44) Drill Bit	
Phillips Screw Driver	
Innate Radness (Done!)	

* OPTIONAL TOOLS

What's Included

1x Rem Cabinet Pull	
1x Cabinet Screw Set	

Still need help? Speak with a Shelfologist today or see back of installation guide for further motivational support.

CALL A SHEFLOGIST
949.244.1083

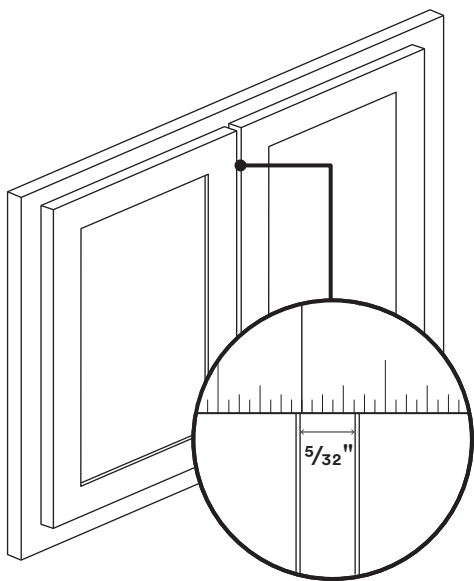
CHAT WITH A SHEFLOGIST
hello@shelfology.com

VISIT US ONLINE
www.shelfology.com



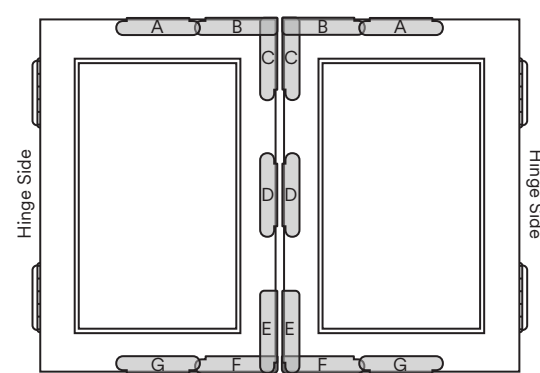
1

Let's go! First things first, make sure you have sufficient space for your Rem Cabinet Pulls. Ensure that there is at least $\frac{5}{32}$ " gap between cabinet doors where any adjacent pulls will be located.



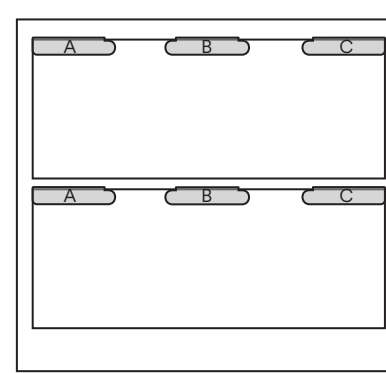
2

Use your totally rad sense of design to find the best location for your Rem Cabinet Pulls. If you are not sure, the illustration below shows suggested configurations. See Rad Tip #1 for additional help.



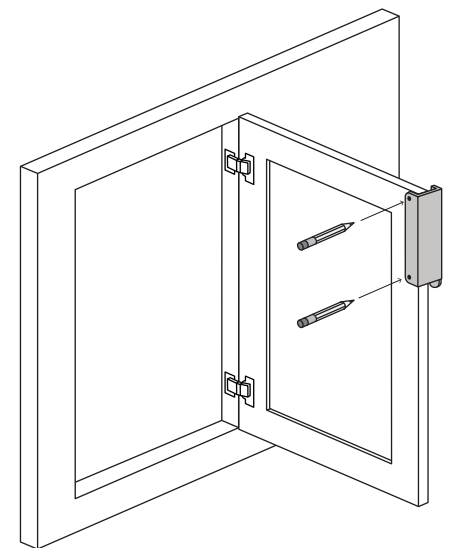
3

If you are using Rem Cabinet Pulls as drawer pulls, below are some suggested configurations. Otherwise, skip to step 4.



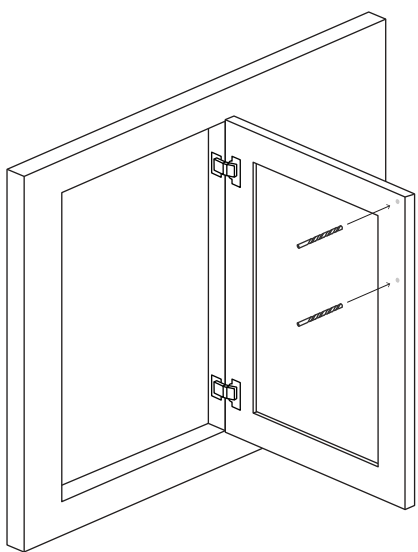
4

Position cabinet pull in desired location, hold in place and mark screw holes with a pencil or screw tip.



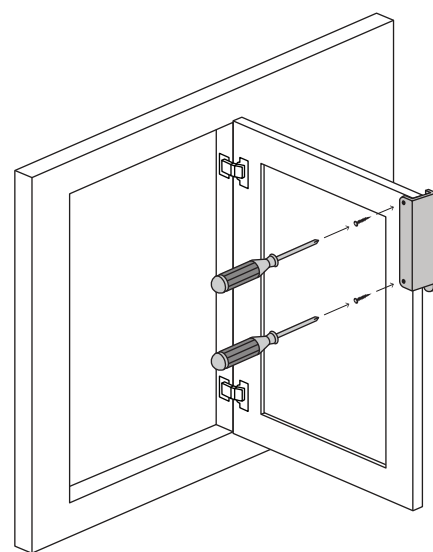
5

Drill a small pilot hole in the center of your mark with a #44 (.086") or smaller drill. To avoid accidental drill through, keep the pilot hole shallow. See Rad Tip #2.



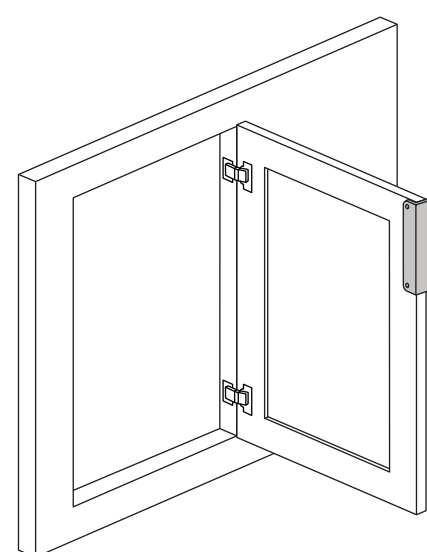
6

Reposition your cabinet pull, and install cabinet screws with a phillips head screw driver.



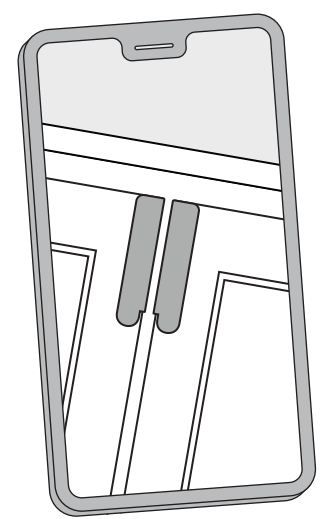
7

Stand back and relax, you did it! Give your cat a celebratory fist bump, if present.

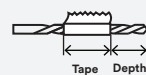
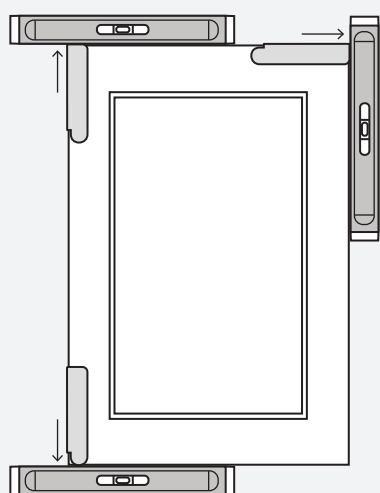


8

Post your sweet Rem Cabinet Pull shelfie on Instagram. Warning: Rad prizes may apply to shelfie of the week. @silicatestudio.shelfology



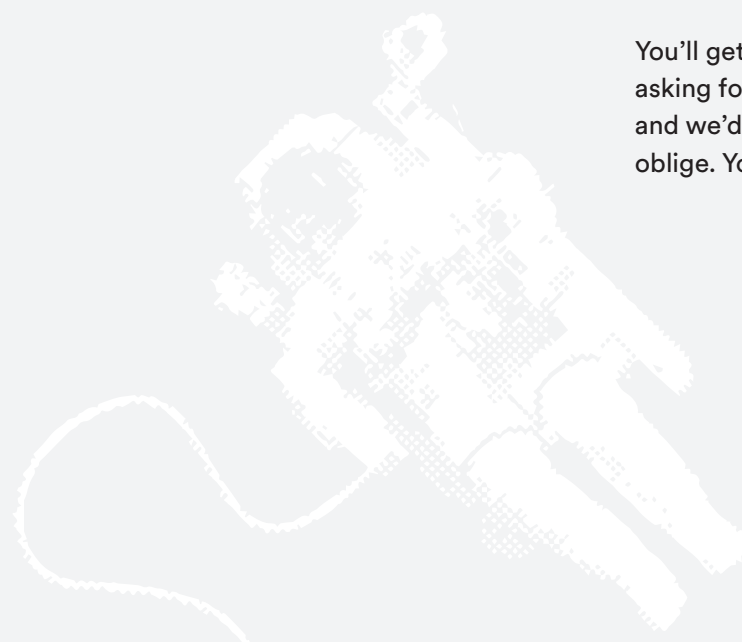
Rad Tip #1 To flush-mount your cabinet pull, place a level or a straight edge along the side of the door. Slide the cabinet pull into place until it touches the level. Hold in place and mark the screw hole locations.



Rad Tip #2 To avoid drilling too deeply, measure the thickness of your cabinet door. Wrap a piece of tape around your drill bit to mark a drilling depth at least $\frac{1}{4}$ " less than the door thickness. Drill just until the tape reaches the surface. It may be helpful to remove the cabinet door to obtain accurate drilling.

How did we do?

You'll get an email soon asking for a product review, and we'd be stoked if you oblige. You rock in advance!





**WE TOTALLY
GET YOU**


Shelfology®