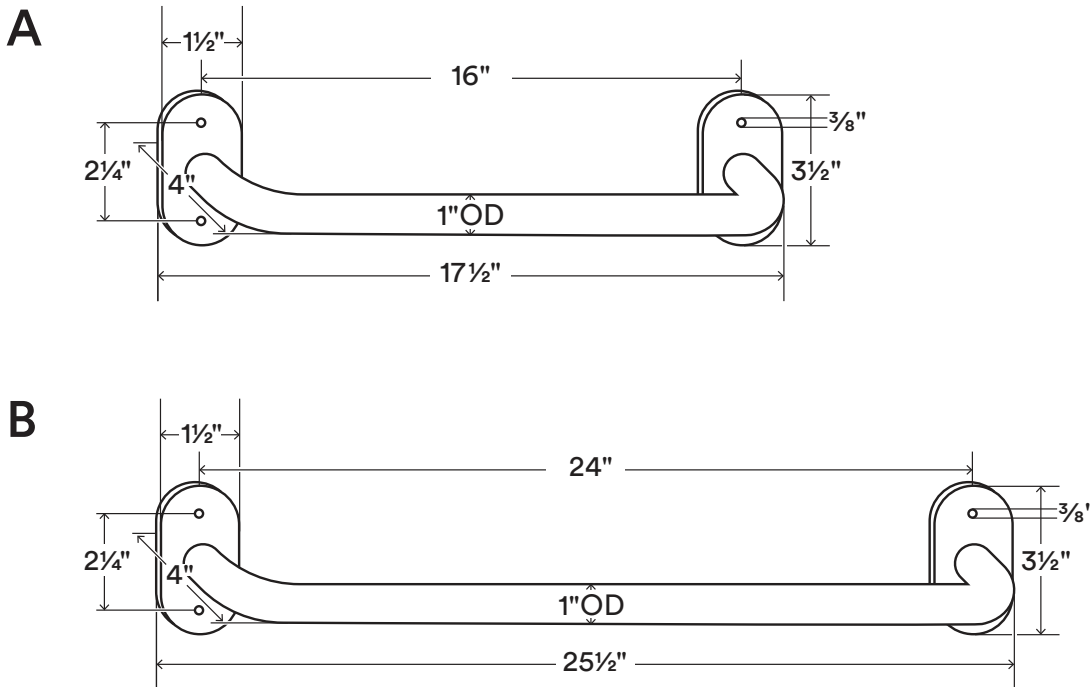


Randle Monkey Bar

Load Capacity (lbs per bar)
250*

Monkey Bar Weight (lbs)
1.35



About Randle Monkey Bar

Made from 1"x 0.65" wall hollow plain carbon steel tubing, with 11 gauge plain carbon steel mounting plates.

*Supports 250 lbs. per handle when properly attached to adequate backing.

Fastener holes are 3/8" outside diameter (OD).

**

WARNING: All monkey bars must be installed into studs, joists, or blocking. Failure to do so may result in saggy product, falling objects, or even injury.

Drawings are representations only and not to scale.

© Shelfology 2023

Figure	Depth	Height	Width	Weight (lbs)	Load
A	4"	3 1/2"	17 1/2"	1.35	250lbs
B	4"	3 1/2"	25 1/2"	1.35	250lbs