

Shelfology
Certified Rad™

Made In The U.S.A.
By Woodworkers, For
Woodworkers_

→ Patent
Pending
Design.

⚡ Lightning
Fast Lead
Times.

★ Made
In The
USA.

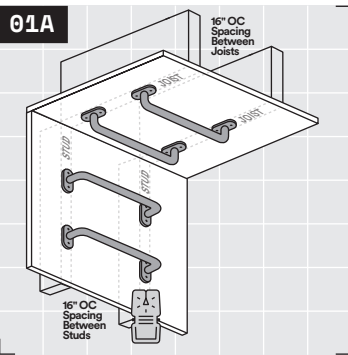
Randle Monkey Bar

Install Guide



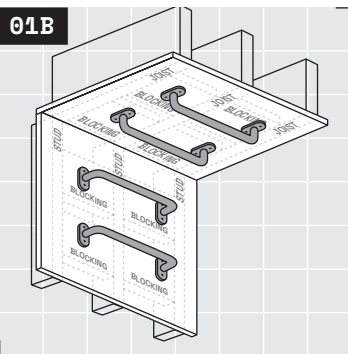


Installation Steps

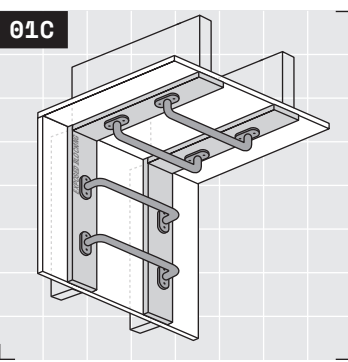


Before installation can begin, the install location must be professionally inspected and prepared with structural support as outlined in options 1A, 1B or 1C. Choose the option that best represents your structural situation and desired aesthetic. **User safety is top priority. Review all warnings on page 6 before continuing!**

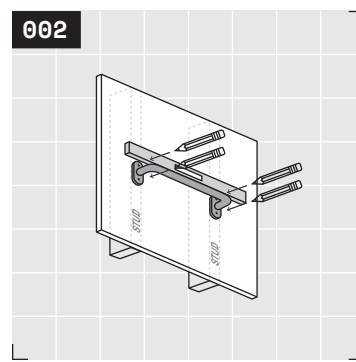
1A: Hidden wall studs and ceiling joists with 16" OC (on center) spacing
The use of an electronic stud finder is recommended to find studs or joists that align with the mounting holes of the handle. If any of the holes are not in alignment with studs or joists, install hidden blocking (step 1B) or external blocking (step 1C) in your desired location.



1B: Hidden wall or ceiling blocking
The use of an electronic stud finder is recommended to find blocking that aligns with the mounting holes of the handle. Install additional blocking as needed to ensure all monkey bars are completely backed by blocking.

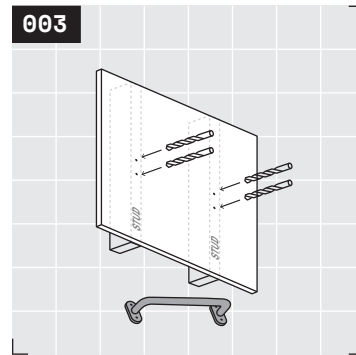


1C: External studs or blocking
If hidden structural elements cannot be used, this is an easy option to make sure the monkey bars have ample support and an accessible mounting surface for the entire line of monkey bars. You must ensure these external studs are correctly mounted to the studs or joists behind your wall or ceiling before continuing with this option.



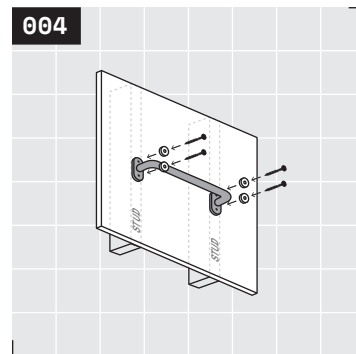
Once the structural support described in Step 1 has been established, hold the handle in desired location and mark the center of each mounting hole location with a pencil. A bubble level can be used during this step to ensure straightness.

See Rad Tip ① on page 7 about aligning multiple monkey bars.

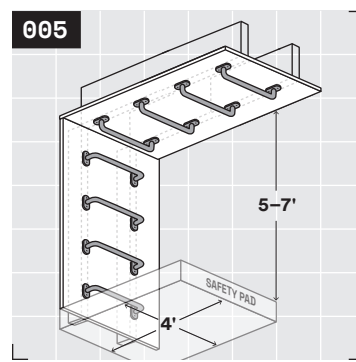


Use a 3/16" drill bit to create a pilot hole at least 1 1/2" deep in the center of the mounting location before installing lag screws.

Failure to properly drill pilot holes may split the stud or blocking, resulting in major structural rework to your wall and monkey bar project.



Using a socket wrench with a 1/2" socket, install a washer and lag screw through each mounting hole. Do not fully tighten until each lag screw is in place. Once lag screws are installed, fully tighten each, checking for solid engagement between the lag screw and the blocking or stud/joist.



Inspect your install; be sure each fastener is securely installed, and check for level. Repeat all installation steps for additional handles.

It's worth mentioning again: safety is priority one. Read all warnings and rad tips, double check your work before allowing anyone to begin climbing.

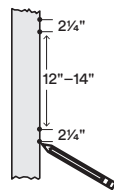
After you are confident the installation is complete, stand back and revel in your childlike glory! You just gained the envy of third graders everywhere and became jungle gym royalty.





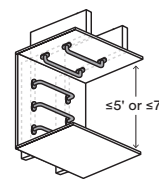
Rad Tips

① Aligning & Spacing Multiple Monkey Bars



1.1 To align multiple monkey bars, use low tack tape or draw a vertical line along adequate studs or blocking in desired mounting location. Then mark fastener hole locations for desired number of monkey bars. Each monkey bar has two fastener locations, 2 1/4" apart. 12"-14" spacing is recommended between each set of fastener locations.

② Ceiling Height Best Practices



2.1 For children 2-5 years old, the monkey bar rungs should be a height of 5 feet or less above the surface. For children 5-12 years old, the recommended height is 7 feet above the surface.

Whoa, you made it! We are vicariously stoking for you right now. Post your sweet shelfie on Instagram now!

@shelfology
#radshelfie

Need a hand? Speak with a Shelf Geek at 949.244.1083 or hello@shelfology.com today.

How did we do? You'll get an email soon asking for a product review, and we'd be stoked if you oblige. You rock in advance!

Warnings



① Correct Install Required For Safe Use

1.1 Follow all safety precautions. Monkey bar hardware must be correctly installed into studs, blocking, or ceiling joists. When properly installed, maximum weight capacity is 150lbs. Failure to follow all safety requirements may result in sagging product, falling objects, or serious injury. We take safety seriously. Please ensure your installation follows all structural requirements. Do not deviate from product specifications or requirements.

② Anchor Randle Securely

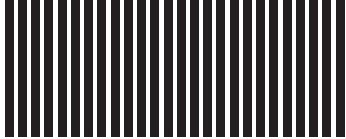
2.1 Wood or composite sheathing is NOT structural, and is not sufficient as a handle mounting surface. All blocking must be professionally secured to permanent wall studs or ceiling joists. Provided lag screw fastener threads must have at least 1 full inch of solid thread engagement into studs or blocking to avoid accidental pull out.

③ Use Adequate Padding

3.1 Randle monkey bars should never be used without adequate padding beneath them. A fall from any distance can be hazardous or deadly. Pad thickness should correspond to weight, height, and build of the user, and the recommendations of the pad manufacturer should be strictly followed. Every effort to maintain safety should be considered when children are the intended users. Distance to safety pad should never exceed 7 feet.

④ California Proposition 65 Warning

4.1 This product contains chemicals known to the State of California to cause cancer and birth defects or other reproductive harm. Don't eat these monkey bars. If you live outside of California, do whatever you want. For more boring information, visit www.p65warnings.ca.gov.



Need a hand? Speak with a Shelf Geek at 949.244.1083 or hello@shelfology.com today.

How did we do? You'll get an email soon asking for a product review, and we'd be stoked if you oblige. You rock in advance!

Call 949.244.1083
Email hello@shelfology.com
Shop www.shelfology.com
Visit 156 N 2nd E Rexburg, ID 83440
Social @shelfology



**ON THE WALL
DESIGNS
BY OFF THE WALL
DESIGNERS™**