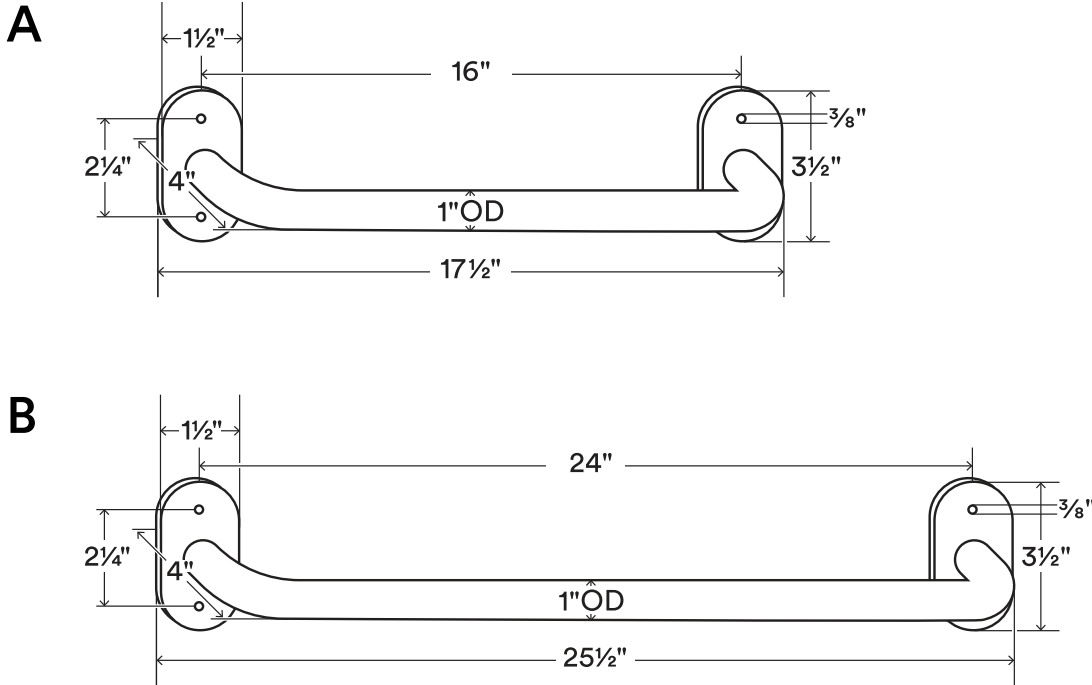


Randle Legacy Monkey Bar

Load Capacity (lbs per bar)
250*

Monkey Bar Weight (lbs)
1.35



About Randle Monkey Bar	Figure	Depth	Height	Width	Weight (lbs)	Load
Made from 1"x 0.65" wall hollow plain carbon steel tubing, with 11 gauge plain carbon steel mounting plates.	A	4"	3 1/2"	17 1/2"	1.35	250lbs
*Supports 250 lbs. per handle when properly attached to studs or blocking.	B	4"	3 1/2"	25 1/2"	1.35	250lbs

Fastener holes are 3/8" outside diameter (OD).

**
 WARNING: All monkey bars must be installed into studs, joists, or blocking. Failure to do so may result in saggy product, falling objects, or even injury.

 Drawings are representations only and not to scale.

© Shelfology 2024