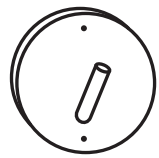




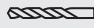


Peggy

Hook Installation Guide






Tools You'll Need

Drill	
Level	
Pencil	
Innate Radness (Done!)	
1/8" Diameter Drill Bit*	

* OPTIONAL TOOLS

What's Included

1x Wall Hook	
1x Wall Fastener Set	
1x Wall Anchor Set	

Still need help? Speak with a Shelfologist today or see back of installation guide for further motivational support.

CALL A SHEFLOGIST
949.244.1083

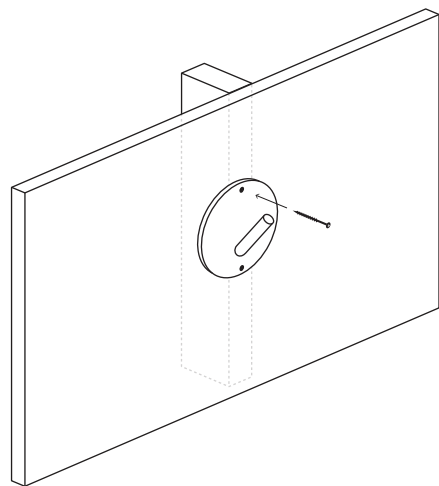
CHAT WITH A SHEFLOGIST
hello@shelfology.com

VISIT US ONLINE
www.shelfology.com



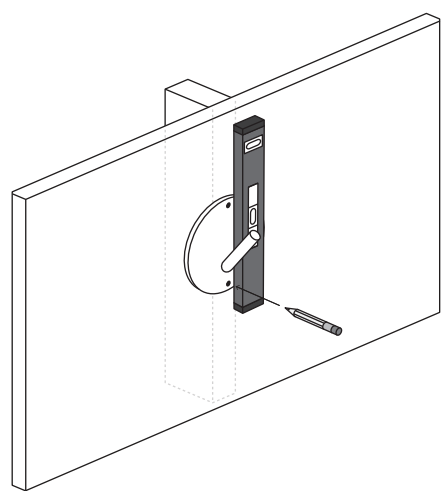
1

Position hook on the wall in desired location. Align the upper screw hole with a wall area backed by a stud or blocking. **See Rad Tip #1 below.** Use a drill to install screw into this location. If there is no stud or blocking, skip to step 4.



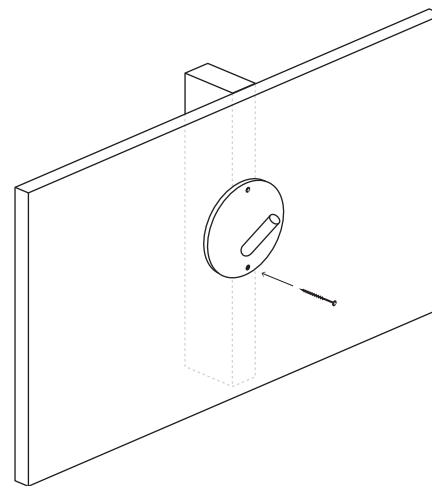
2

Level the hook by vertically aligning the upper and lower screw holes, use bullet level if needed. Mark lower hole with pencil or screw tip.



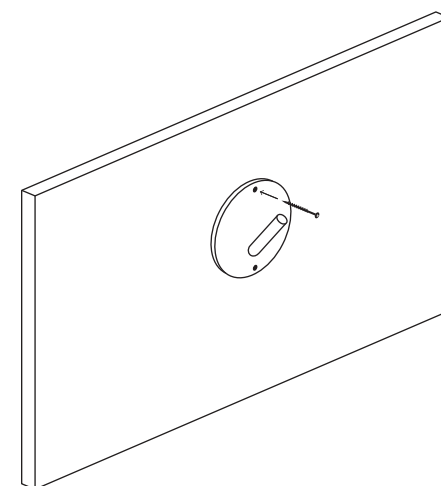
3

Install lower fastener screw into marked location. Skip to set 9.



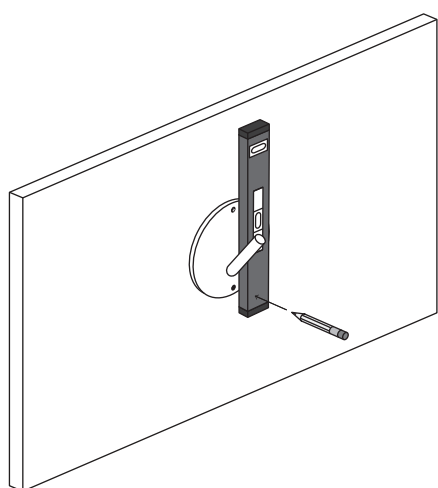
4

Position the hook in desired location. Use a drill to install a wall fastener screw into the upper screw hole.



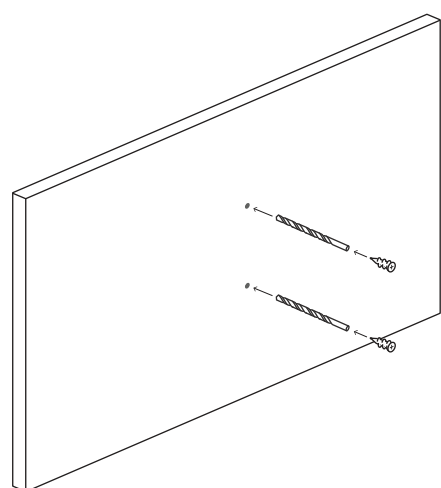
5

Level the hook by vertically aligning the upper and lower screw holes, use bullet level if needed. Mark lower hole with pencil or screw tip.



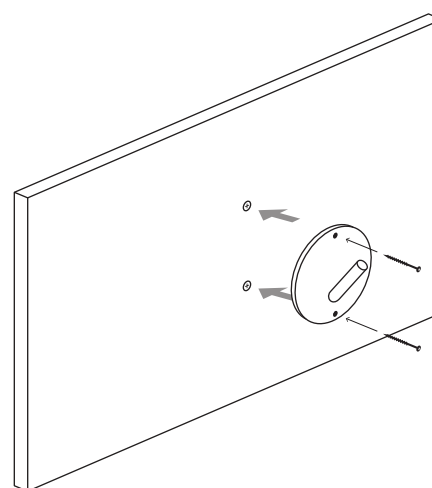
6

Uninstall wall hook. Drill a pilot hole in both screw locations with a 1/8" drill bit. Install wall anchors in each hole.



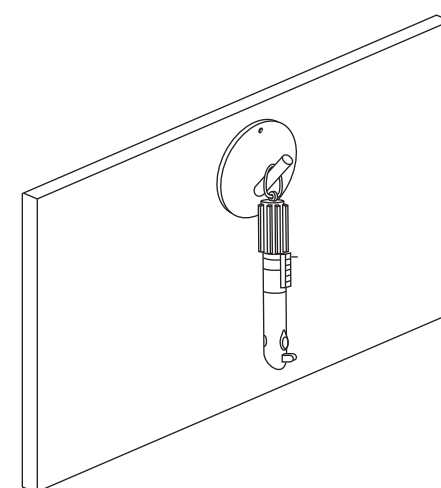
7

Reinstall wall hook using wall fasteners.



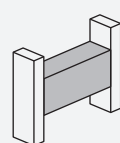
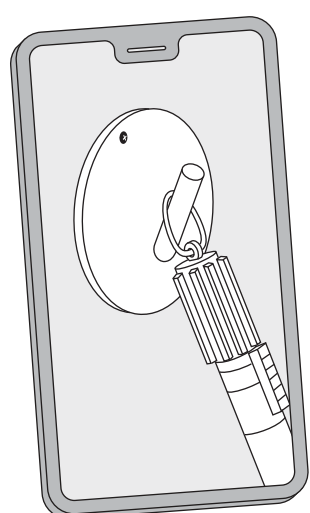
8

Stand back and relax, you did it! Give your cat a celebratory fist bump, if present. Gently place your replica Skywalker™ light saber on hook and admire!



10

Post your sweet Peggy Wall Hook shelfie on Instagram. Warning: Rad prizes may apply to shelfie of the week.
@silicatestudio.shelfology
#radshelfie



Rad Tip #1 Blocking refers to pieces of wood or other material that run between wall studs in order to provide support and attachment sites for your shelf or hook.



****WARNING:** Shelves must be correctly installed into studs or wall blocking. Failure to do so may result in sagging shelves, falling objects, or serious injury.

How did we do?

You'll get an email soon asking for a product review, and we'd be stoked if you oblige. You rock in advance!

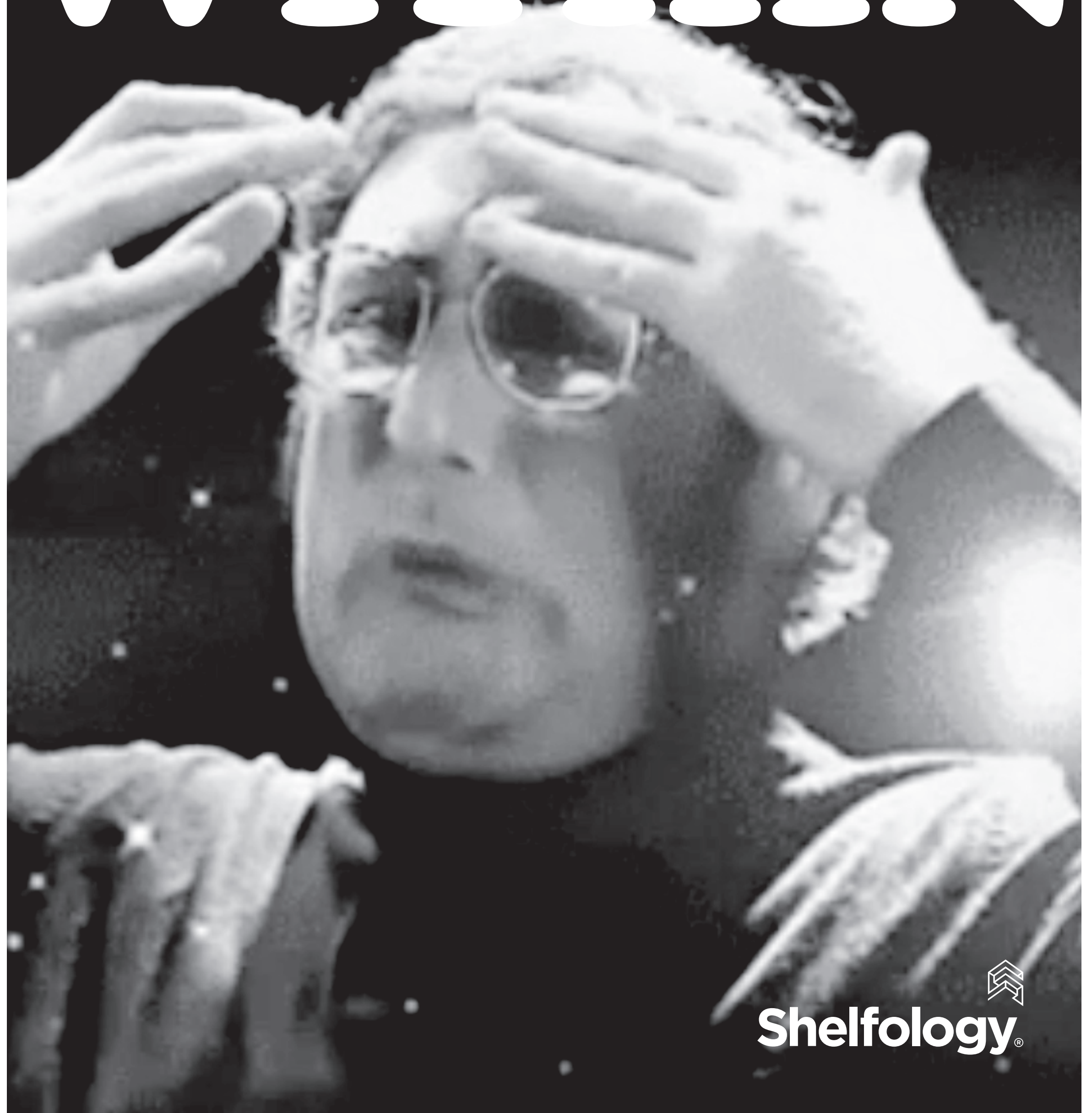


RECLAIM
YOUR
WALLS



CERTIFIED
RADNESS

LOOK WITHIN




Shelfology®