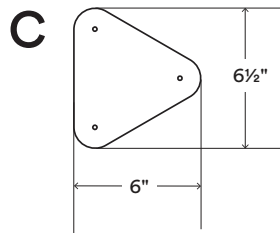
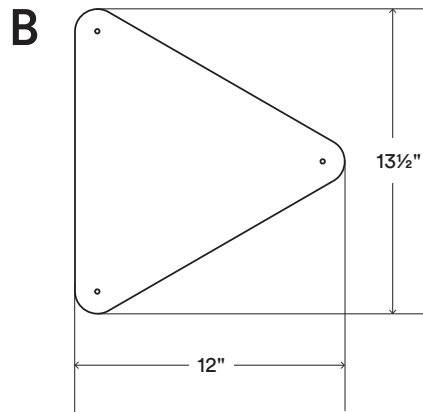
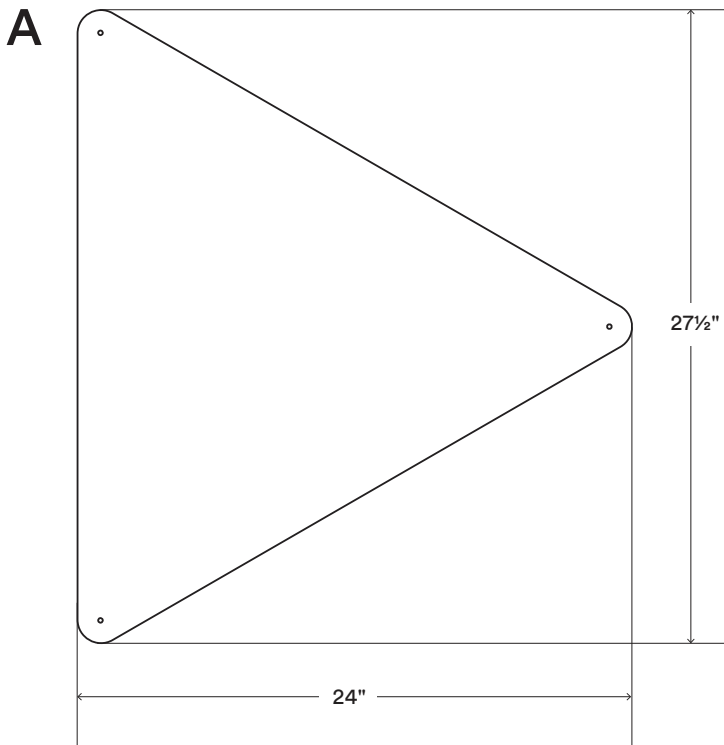


Mosey Triangle

Width:
24", 12", 6"



About Mosey Triangle Magnetic Board

Made from 14 gauge hot-rolled steel.

Fastener holes are located 1" OC from edges of board. Fastener holes are 3/16" outside diameter (OD).

Nylon standoffs (optional) are 1/2".

Manufactured from top-quality American steel made with 70% recycled content.

Designed & crafted by radically talented humans right here in the U.S. of Awesome.

Shelfology radically recycles all production metal, wood and cardboard waste.

* **WARNING:** All fasteners must be installed into studs, backing, or wall anchors. Failure to do so may result in a saggy board, falling objects, or even injury.

** Drawings are representations only and not to scale.

© Shelfology 2025

Figure	Description	Depth with Standoffs	Width	Height
A	Magnetic Board	0.575"	24"	27½"
B	Magnetic Board	0.575"	12"	13½"
C	Magnetic Board	0.575"	6"	6½"

 Patent Pending Design.
  Lightning Fast Lead Times.

 Shelfology®
  Way To Display..