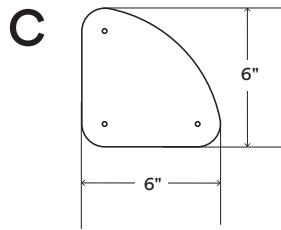
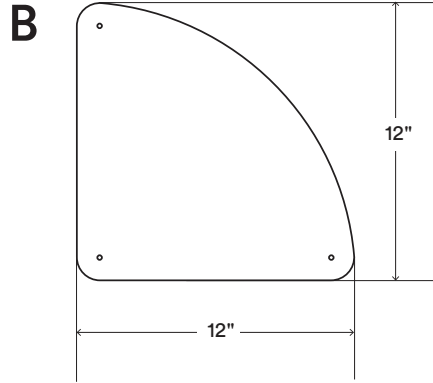
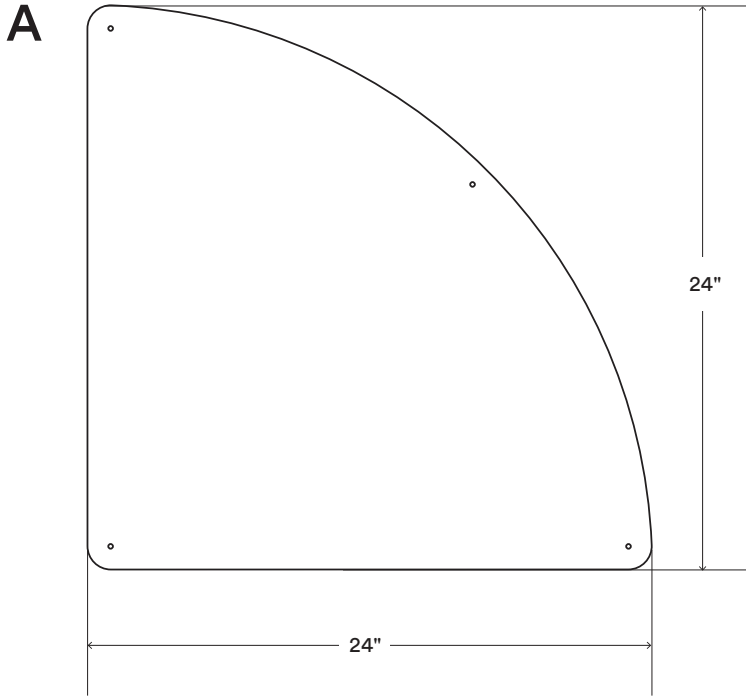


Mosey Quarter Circle

Width:
24", 12", 6"



About Mosey Quarter Circle Magnetic Board

Made from 14 gauge hot-rolled steel.

Fastener holes are located 1" OC from edges of board. Fastener holes are 3/16" outside diameter (OD).

Nylon standoffs (optional) are 1/2".

Manufactured from top-quality American steel made with 70% recycled content.

Designed & crafted by radically talented humans right here in the U.S. of Awesome.

Shelfology radically recycles all production metal, wood and cardboard waste.

* **WARNING:** All fasteners must be installed into studs, backing, or wall anchors. Failure to do so may result in a saggy board, falling objects, or even injury.

** Drawings are representations only and not to scale.

© Shelfology 2025

| Figure | Description | Depth with Standoffs | Width | Height |
|--------|----------------|----------------------|-------|--------|
| A | Magnetic Board | 0.575" | 24" | 24" |
| B | Magnetic Board | 0.575" | 12" | 12" |
| C | Magnetic Board | 0.575" | 6" | 6" |

