

Mini Doohooky

Hook Installation Guide



Tools You'll Need

Drill	
Measuring Tape	
Level	
Pencil	
Innate Radness (Done!)	
1/4" Diameter Drill Bit*	

* OPTIONAL TOOLS

What's Included

1x
Mini Doohooky Hook



2x
Wall Fasteners



2x
Wall Anchors



Still need help? Speak with a Shelfologist today or see back of installation guide for further motivational support.

CALL A SHEFLOGIST
949.244.1083

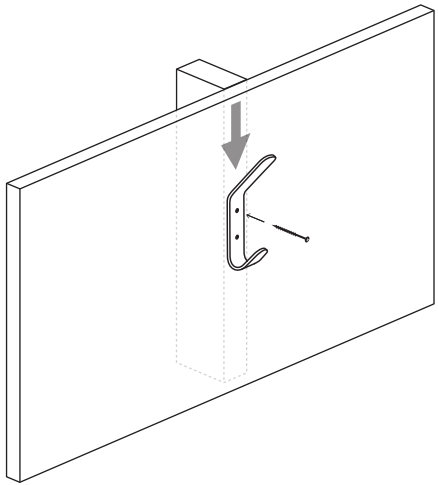
CHAT WITH A SHEFLOGIST
hello@shelfology.com

VISIT US ONLINE
www.shelfology.com



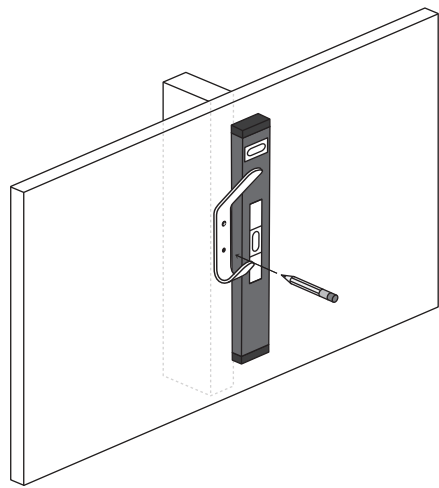
1

Let's go! Position the hook on wall in desired location. Align one of the screw holes with a wall area backed by a stud or blocking. **See Rad Tip #1 below.** Use a drill to install screw into this location. If there is no stud or blocking, skip to step 4.



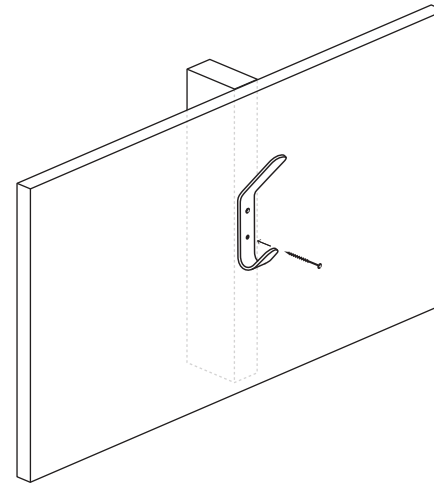
2

Level the hook, use bubble level if needed. Mark second hole with pencil or screw tip.



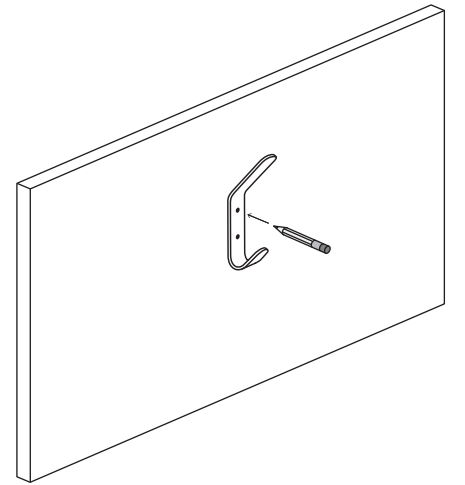
3

Install second screw with drill. Skip to step 8.



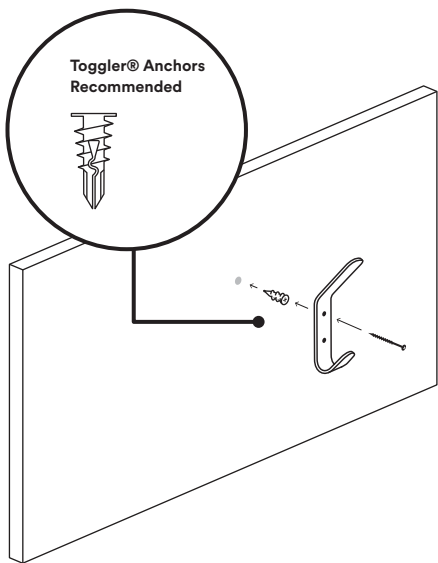
4

Position hook on the wall in desired location. Mark one screw hole with pencil or screw tip. Pre-drill this hole with 1/4" drill bit to avoid breaking wall anchors.



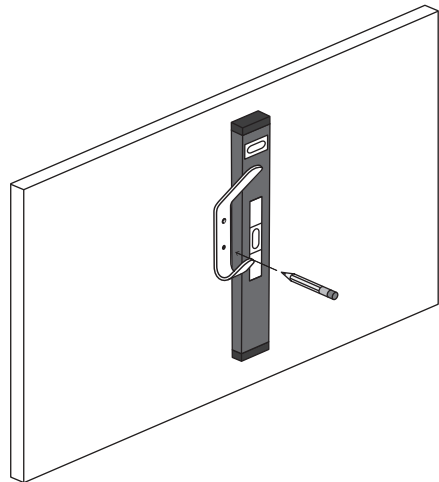
5

Install wall anchor into screw hole. Install hook and first screw, fasten screw *less* than full tightness.



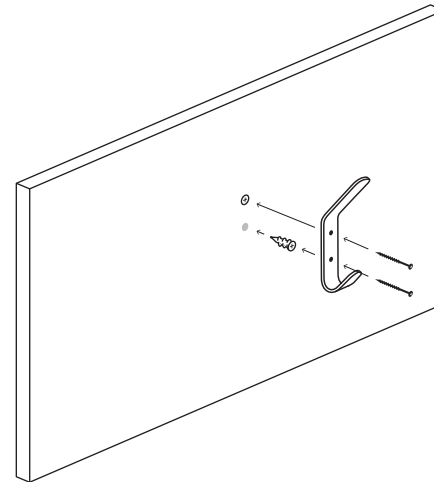
6

Level the hook, use bubble level if needed. Mark second hole with pencil or screw tip. Uninstall first screw and hook. Pre-drill second hole with 1/4" drill bit to avoid breaking wall anchors.



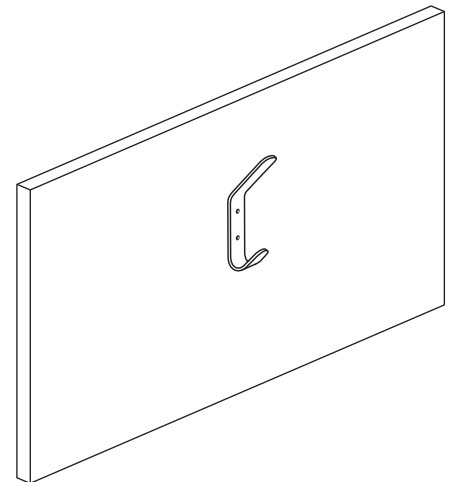
7

Install second wall anchor. Install hook with both screws.



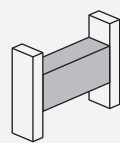
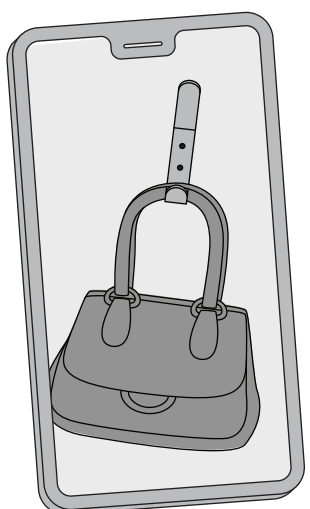
8

Stand back and relax, you did it! Give your cat a celebratory fist bump, if present.



9

Post your sweet Mini Doohooky shelfie on Instagram. Warning: Rad prizes may apply to shelfie of the week.
@silicatestudio.shelfology
#radshelfie



Rad Tip #1 Blocking refers to pieces of wood or other material that run between wall studs in order to provide support and attachment sites for your shelf or hook.



****WARNING:** Hooks must be correctly installed into studs or wall blocking. Failure to do so may result in sagging hooks, falling objects, or serious injury.

How did we do?

You'll get an email soon asking for a product review, and we'd be stoked if you oblige. You rock in advance!



RECLAIM
YOUR
WALLS



CERTIFIED
RADNESS

BELIEVE




Shelfology[®]