

Shelfology  
Certified Rad™

Made In The U.S.A.  
By Woodworkers, For  
Woodworkers

→ Patent  
Pending  
Design.

⚡ Lightning  
Fast Lead  
Times.

★ Made  
In The  
USA.

# Leif Shelf System Install Guide





Installation  
Difficulty  
Rating (1-10)

5

Table of Contents	Page
Installation Steps	004
Warnings	006
Rad Tips	007

START ↓ ↓

With a wide range of juicy bracket colors available, Leif is a deliciously simple wall shelf, ready to add rad to any of your rooms. **Made in-house by us in the United States of Awesome. Rad!**

Required Tools

Drill

Level

Measuring Tape

Low-tack Tape

Pencil

1/4" Diameter Drill Bit

Optional Tools

Stud Finder

What's In The Box

Leif Shelf Bracket Set  
1x

Leif Shelf Slab  
1x

Pan Head Shelf Fastener Set  
1x

Flat Head Wall Fastener Set  
1x

Wall Anchor Set  
1x

What You'll Need

Innate Radness Done!

Your Favorite Soda  
2x

GET MORE RADNESS NOW AT SHELOLOGY.COM // NEED A HAND? 949.244.1083 // HELLO@SHELOLOGY.COM



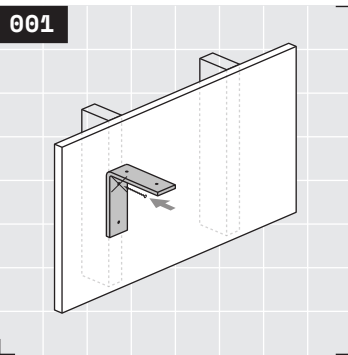
CERTIFIED  
RAD™

MADE IN THE  
U.S. OF A.

LIGHTNING FAST  
LEAD TIMES.

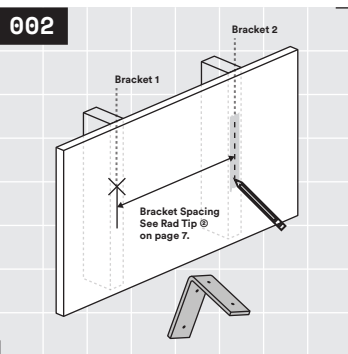


# Installation Steps



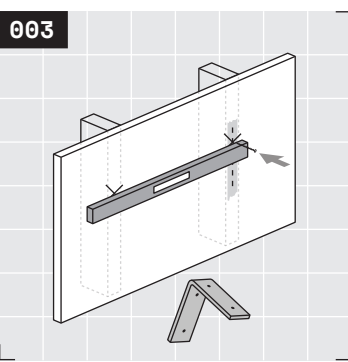
001

Yo, here we go! Position the first Leif bracket on your wall, ideally on a stud or blocking. **See Rad Tip** on page 7 to learn more about studs and blocking. Mark the top-most fastener hole with a fastener tip. Remove your bracket from the wall, then grab a can of your favorite non-alcoholic brew and crack it open.



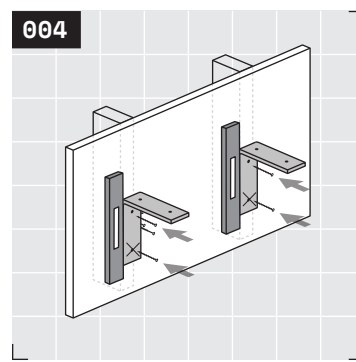
002

Measure the desired bracket spacing from fastener hole and righteously apply low-tack tape to general mounting area of second bracket. Measure again and draw a short vertical line on the tape. **See Rad Tip** on page 7.



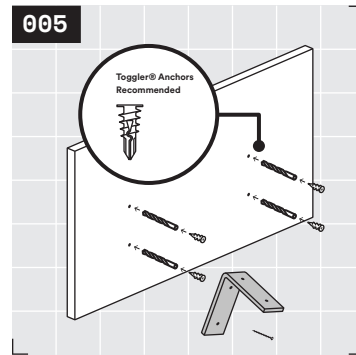
003

Place a level on the first fastener hole. Find the intersection of the level and vertical line. Use a wall fastener to punch a hole into wall behind low-tack tape. Remove the tape.



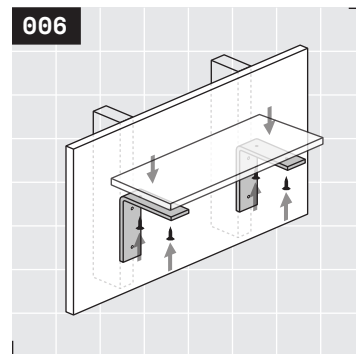
004

Install wall fasteners in the top fastener hole locations. Vertically level each bracket. Punch a hole in all remaining fastener locations with fastener tip. If your brackets are on studs or blocking, skip to step 6. If your brackets are not on studs or blocking, proceed to step 5.



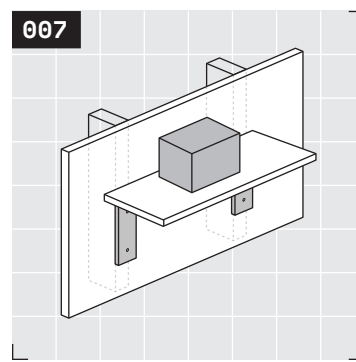
005

Remove the brackets from your wall. Predrill all marked fastener locations with a 1/8" drill bit, and install drywall anchors in each fastener hole location crossing drywall that isn't backed by studs or blocking. If you are installing on masonry, you must use a wall anchor rated for masonry use. If you are using your own anchors, we recommend Toggle brand. Take a swig of your brew.



006

Position the brackets, install all wall fasteners. Confirm the brackets are secure to wall. (Brackets may wiggle left to right at this point. Chillax, installing the shelves will resolve this!) Lay the shelf on your bracket and position as desired. Position the brackets perpendicular to your wall by using a square. Hold the shelf in place and install all shelf set screws, then repeat for remaining shelves. Take another swig of that sweet, sweet nectar.



007

Stand back and relax. You did it! Fist-bump your buddy, if present. Gently place your Ninja Turtles™ box collection on shelf and admire! Finish off your soda, it's time to celebrate your innate awesomeness! You finished the shelf install and deserve heaps of adulation. If you need more help, please reach out to a shelf geek today.

That's it! Finish off your soda, it's time to celebrate your innate awesomeness! If you need more help, please reach out to a shelf geek today.





Whoa, you made it! We are vicariously stoking for you right now. Post your sweet shelfie on Instagram now!

@shelfology  
#radshelfie

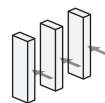
Need a hand? Speak with a Shelf Geek at 949.244.1083 or hello@shelfology.com today.

How did we do? You'll get an email soon asking for a product review, and we'd be stoked if you oblige. You rock in advance!



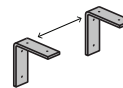
## Rad Tips

① **Fasten Into All Studs & Blocking The Bracket Crosses**



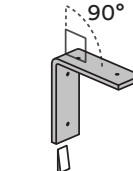
1.1 Studs are the vertical 2x4 boards that make up the bones of your walls. They provide solid structure for your shelves to attach to.

② **Bracket Spacing & Position**

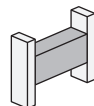


2.1 Bracket spacing is up to you. It's part of Leif's insanely cool aesthetic. With that said, these brackets should never be more than 48" apart. Saggy shelves suck!

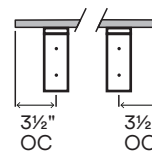
③ **Use Shims to Correct Shelf Sag**



3.1 To remove sag, a shim can be used. If you do not have a wood shim, something solid like a dime or washer can be placed between the wall and the bracket edge to raise or lower the rod elevation.



1.2 Blocking is typically added later between studs in the wall for additional support to mount shelves to, and is usually made from 2x4 or 2x6 lumber.



2.2 If you want our opinion, brackets should be set 3 1/2" OC (on center) from each end of the shelf, with an additional centered bracket for shelves over 48".

## Warnings



① **Correct Install Required For Safe Use**

1.1 Shelf brackets must be correctly installed into studs, blocking, or the appropriate wall anchors. Failure to do so may result in sagging shelves, falling objects, or serious injury.

② **Adhere To The Capacity Rating Of Your Specific Brackets**

2.1 Every Shelfology bracket weight class and length has been engineered for use with specific shelf capacities/dimensions. Failure to follow our specified capacity ratings and correct shelf dimensions may result in sagging shelves, falling objects, or serious injury. For more information, reference the Leif Specification Sheet.

③ **California Proposition 65 Warning**

3.1 This product contains chemicals known to the State of California to cause cancer and birth defects or other reproductive harm. Don't eat these brackets or shelves. If you live outside of California, do whatever you want. For more boring information, visit [www.p65warnings.ca.gov](http://www.p65warnings.ca.gov).

④ **This Product May Make Others Incredibly Jealous**

4.1 Any Shelfology Certified Rad™ product should be flaunted with caution around friends, loved ones, and even complete strangers, as minimal or extreme jealousy may occur. Shelf responsibly.






---

**Need a hand? Speak with a Shelf Geek at 949.244.1083 or [hello@shelfology.com](mailto:hello@shelfology.com) today.**

**How did we do? You'll get an email soon asking for a product review, and we'd be stoked if you oblige. You rock in advance!**

---

<b>Call</b>	949.244.1083
<b>Email</b>	<a href="mailto:hello@shelfology.com">hello@shelfology.com</a>
<b>Shop</b>	<a href="http://www.shelfology.com">www.shelfology.com</a>
<b>Visit</b>	156 N 2nd E Rexburg, ID 83440
<b>Social</b>	@shelfology



**ON THE WALL  
DESIGNS  
BY OFF THE WALL  
DESIGNERS™**