

# Leif

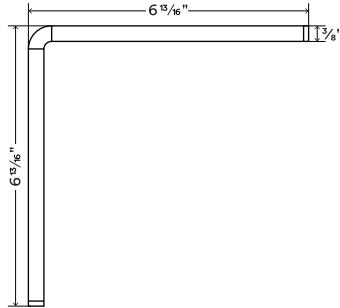
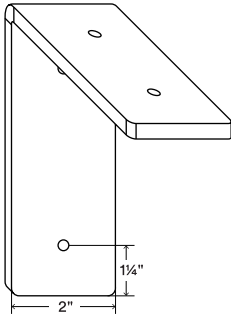
Load Capacity per Bracket (lbs)

20

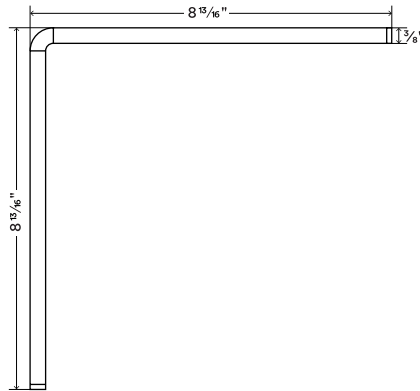
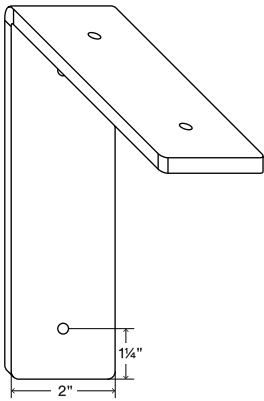
Shelf Depth Range (in)

7-10\*

A



B



### About Leif L Bracket

Made from 3/16" thick bent steel. 7" support and 7" leg or 9" support and 9" leg. Bracket is 2" wide.

Supports up to 20 lbs per bracket when mounted correctly. Countersunk screw holes are 3/16" outside diameter (OD) Recommended bracket spacing is 48" for shallower, lighter duty installations. 32" or less for deeper, heavier-cut installations. There should be no more than 48" between brackets

Manufactured from top-quality American steel made with 70% recycled content.

Designed & crafted by radically talented humans right here in the U.S. of Awesome.

Shelfology radically recycles all production metal, wood and cardboard waste.

**\*\*WARNING:** All brackets must be installed into studs or posts. Failure to do so may result in saggy shelves, falling objects, or even injury.

**\*\*\*Drawings are representations only and not to scale.**

© Shelfology 2025



Figure	Load Per Bracket	Bracket Length	Shelf Length	Shelf Depth	Thickness
A	20 lbs	6 3/16 x 6 3/16	12-84	7-9	3/4"-2
B	20	8 3/16 x 8 3/16	12-84	9-10	3/4"-2