



# Glenn

## Milling/ Mounting Template

Bracket Length (in.)

# 46

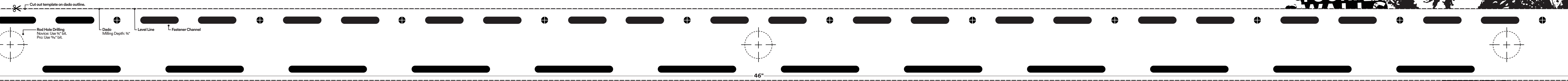
Weight Class

# MD

→ Patent Pending Design.

★ Made In The USA.

- Holds 900 lbs
- Fits Solid & Hollow Shelves
- Ultra Mega Easy To Install
- Delivers Major Street Cred



Need a hand? Speak with a Shelf Geek at 949.244.1083 or hello@shelfology.com today.

Call 949.244.1083  
Email hello@shelfology.com  
Shop www.shelfology.com  
Visit 156 N 2nd E Rexburg, ID 83440  
Social @shelfology

Scan here to get seriously righteous downloads and tips for your shiny new bracket on our website!

