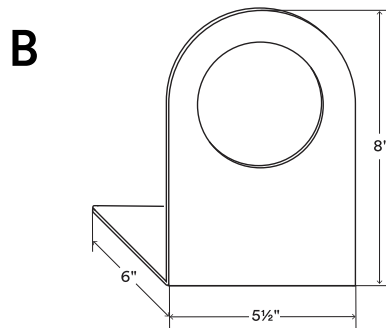
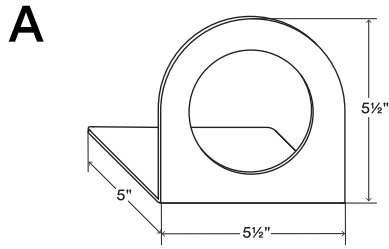


Geo Round Open

Weight (lbs.)
1.08, 1.54



About Geo Round Open Bookend

Made with 18 gauge hot-rolled steel available in 30 powder coated colors.

Tall bookend version available for albums and oversized books.

Features Cat Tongue Grips' trademark Gription technology for gripping slick surfaces and keeping your books in place.

Ships ready to use.

Manufactured from top-quality American steel made with 70% recycled content.

Designed & crafted by radically talented humans right here in the U.S. of Awesome.

Shelfology radically recycles all production metal, wood, and cardboard waste.

* Drawings are representations only and not to scale.

© Shelfology 2025

Figure	Product	Materials	Height	Width	Depth	Weight
A	Geo Round Open	Steel	5 1/2"	5 1/2"	5"	1.08 pounds
B	Geo Round Open Tall	Steel	8"	5 1/2"	6"	1.54 pounds

