

# Floaty Mini Floating Shelf

## 5" Mounting Template

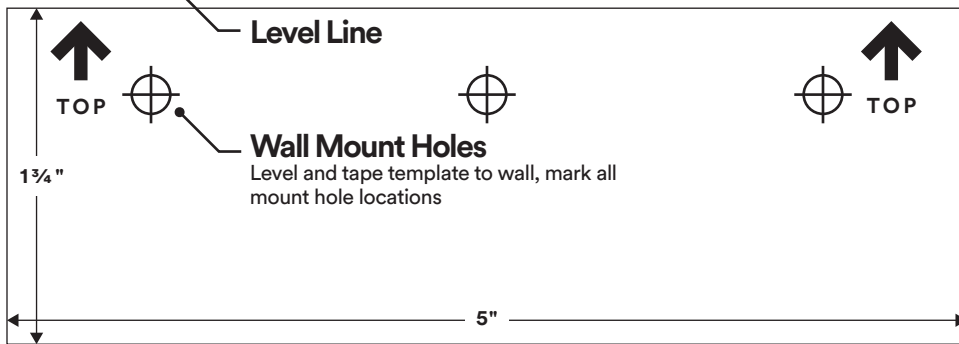
### Template Instructions\*

- 01 Position template on wall in desired location.
  - 02 Level using level line and apply painters tape to hold in place.
  - 03 Mark each fastener hole location through template.
- \*See installation guide for more details.

Still Need Help?

Speak with a Shelfologist today.

Office 949.244.1083  
Email [hello@shelfology.com](mailto:hello@shelfology.com)  
Shop [www.shelfology.com](http://www.shelfology.com)  
Physical 156 N 2 E Rexburg, ID 83440  
Social @shelfology.com



//////

L

//////////

L

# Floaty Mini Floating Shelf

## 5" Mounting Template

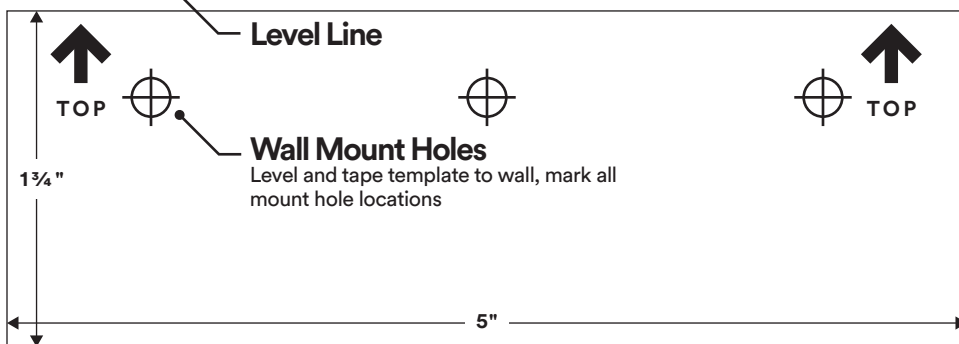
### Template Instructions\*

- 01 Position template on wall in desired location.
  - 02 Level using level line and apply painters tape to hold in place.
  - 03 Mark each fastener hole location through template.
- \*See installation guide for more details.

Still Need Help?

Speak with a Shelfologist today.

Office 949.244.1083  
Email [hello@shelfology.com](mailto:hello@shelfology.com)  
Shop [www.shelfology.com](http://www.shelfology.com)  
Physical 156 N 2 E Rexburg, ID 83440  
Social @shelfology.com



//////

L

//////////

L