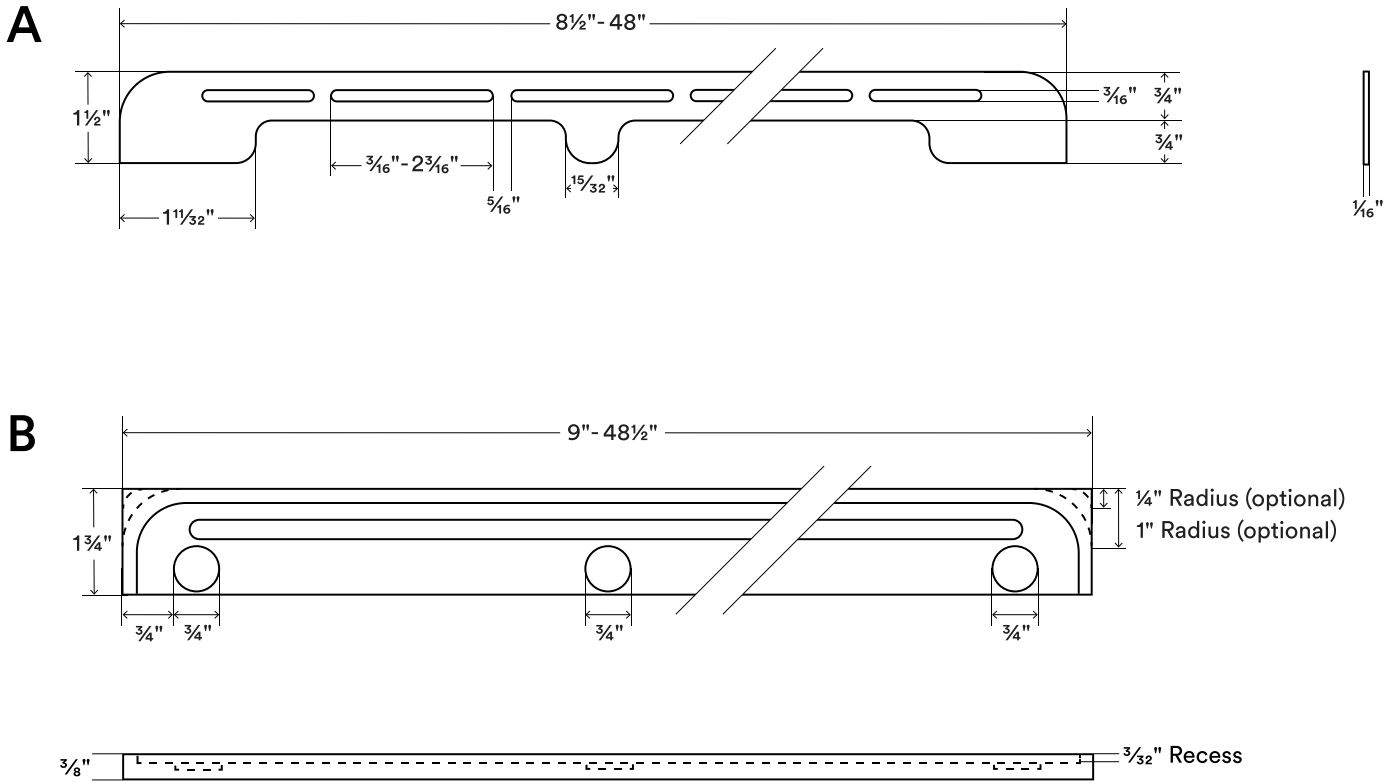


Edo

Weight (lbs)
0.27-1.27



About Edo Print Hanging System

Bracket made from 14 gauge hot-rolled steel. Powder coated with grip texture powder coating

Cover plate made from solid hardwood.

Center-oriented fastener slots are $\frac{3}{16}$ " wide and $2\frac{3}{16}$ " long. End fastener slot length varies according to overall bracket length, and ranges from $\frac{3}{16}$ " to $2\frac{3}{16}$ "

Recessed magnets are 5mm thick and 14mm diameter.

Grip tabs are made from CatTongue™ anti-slip tape.

Supports paper, poster, parchment, and thin, printable canvas.

Optional coverplate corner radius of $\frac{1}{4}$ " or 1".

Manufactured from top-quality American steel made with 70% recycled content.

Designed and produced in beautiful middle-of-nowhere Idaho, with sweat, tears, and Ameri-quality awesomeness.

Shelfology radically recycles all production metal, wood and cardboard waste.

****WARNING:** All brackets must be installed into studs or posts. Failure to do so may result in saggy brackets, falling objects, or even injury.

*****Drawings** are representations only and not to scale.

© Shelfology 2022

Figure	Description	Thickness	Lengths	Height	Weight (lbs)
A	Mounting Bracket	$\frac{1}{16}$ "	$8\frac{1}{2}$ "-48"	$\frac{1}{2}$ "	0.17-0.73
B	Cover Plate	$\frac{3}{8}$ "	9"-48 $\frac{1}{2}$ "	$\frac{1}{4}$ "	0.1-0.54

