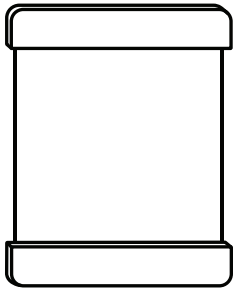


Edo

System Installation Guide



Shelfology

Tools You'll Need

Drill/Driver	
Measuring Tape	
Level	
Pencil	
1/8" Diameter Drill Bit*	
Stud Finder*	

* OPTIONAL TOOLS

What's Included

1x Edo System	
1x Fastener Screw Set	
1x Wall Anchor Set	

Still need help? Speak with a Shelfologist today or see back of installation guide for further motivational support.

CALL A SHEFLOGIST
949.244.1083

CHAT WITH A SHEFLOGIST
hello@shelfology.com

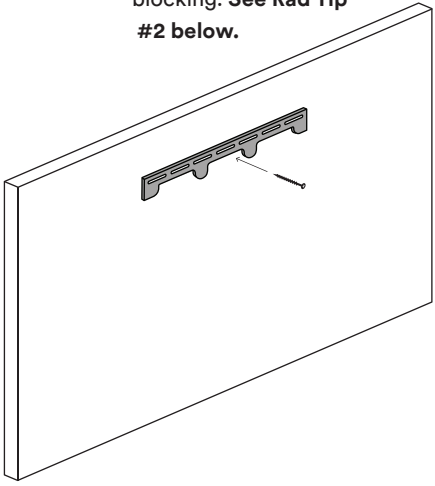
VISIT US ONLINE
www.shelfology.com

How did we do?

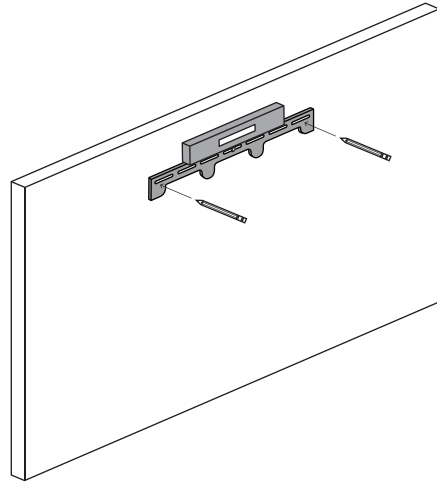
You'll get an email soon asking for a product review, and we'd be stoked if you oblige. You rock in advance!

Shelfology

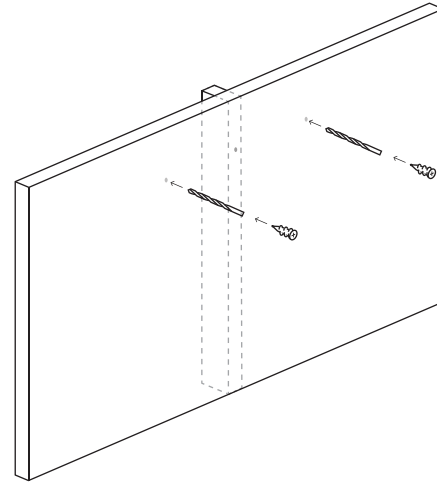
1 Yo, here we go! Hold one of the two metal brackets against the wall, tabs facing downward. The center of this bracket will mark the top of your print. **See Rad Tip #1 below.** Install a fastener screw into a slotted location. If possible, screw into a stud or blocking. **See Rad Tip #2 below.**



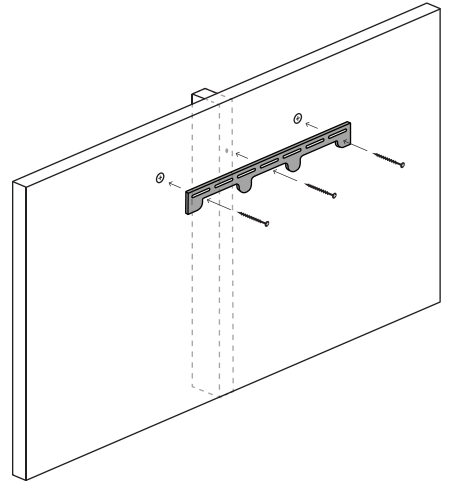
2 Straighten the bracket using a level. Mark additional screw hole locations with a screw tip or a pencil. For brackets longer than 12 inches, 3 or more fasteners are recommended.



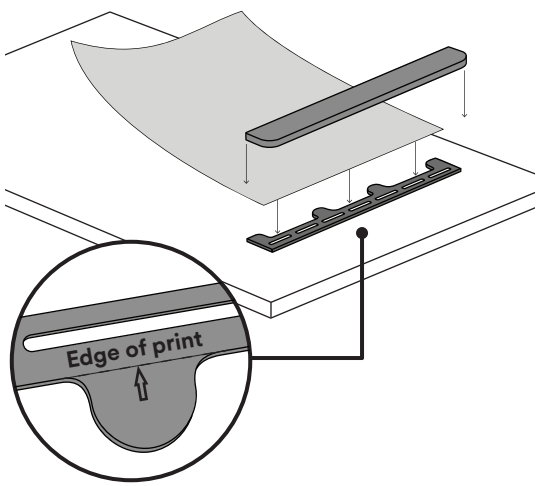
3 Uninstall the first screw and the bracket. Install wall anchors in each marked location *not* backed by a stud or blocking. Predrilling holes with a 1/8" drill bit is recommended for accurate anchor placement and for all masonry applications.



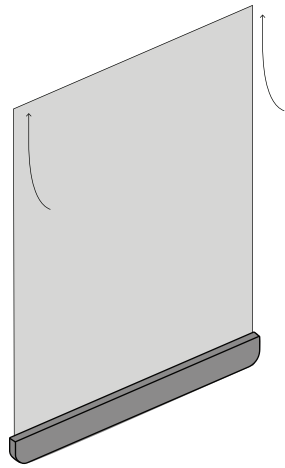
4 Hold bracket in place and install fasteners into all screw hole locations.



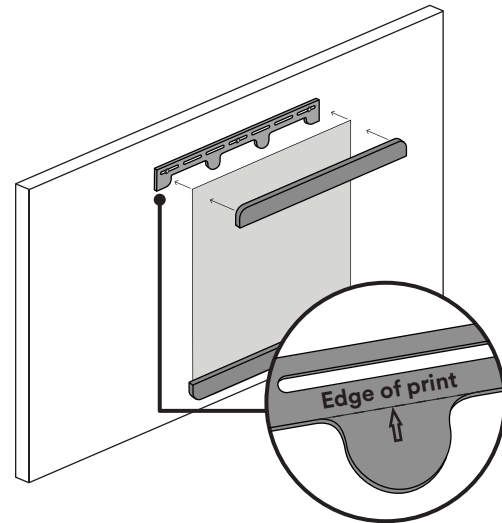
5 Place the second bracket on a flat surface. Facing upward, align the bottom of your print with the arrows marked "Edge of print". Place the coverplate over the print. Magnets in the coverplate should align with the tabs of the bracket.



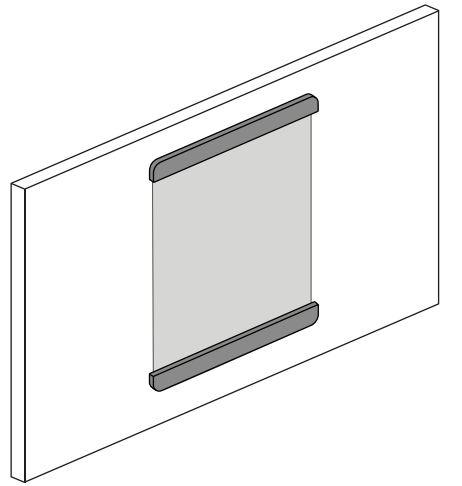
6 To ensure that you have achieved a good connection, lift the print by the top edge and check for movement of the bottom coverplate. **Rad Tip #3 below.**



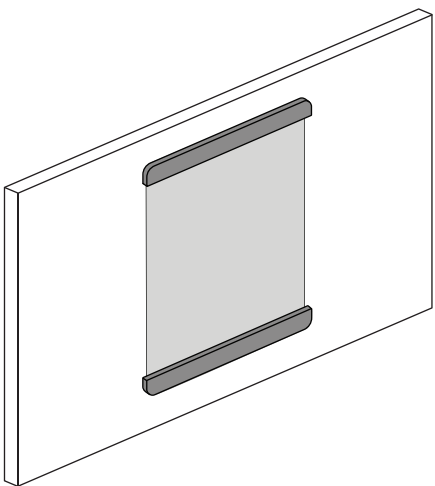
7 Align the print to the upper bracket and hold in position. Install the top coverplate over the print and bracket. The coverplate should sit nearly flush with the wall, and obscure the bracket completely.



8 Check for level. Repeat steps 5 through 7 if necessary to achieve a straight hang.



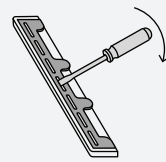
9 Congratulations, you did it! give your cat a celebratory fist bump if present. Start displaying those autographed, limited edition Nicolas Cage adoration posters in all of their glory!



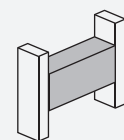
10 Post a sweet picture of your Edo Print Hanging System on Instagram. Warning: Rad prizes may apply to shelfie of the week. @shelfology #radshelfie



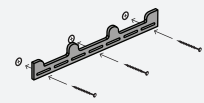
Rad Tip #1 The hidden magnets are strong! If you have trouble separating the bracket from the cover plate, save those fingernails. Place the Edo face down, and then insert a screwdriver or flat tool into a center slot. Pry apart by rotating downward. This will raise the bracket to a manageable position. Remember, when you reinstall the components, they may "snap" back together unexpectedly. Use 2 people when installing delicate prints or paper.



Rad Tip #2 Blocking refers to pieces of wood or other material that run between wall studs in order to provide support and attachment sites for your shelf or hook.



Rad Tip #3 Thicker print material may weaken the magnetic connection, allowing the bracket and coverplate to slip. If the connection is too loose for your liking, mount the bottom bracket to the wall by repeating steps 1 through 4. Ensure that it is the correct distance from your upper bracket to accommodate your print.



***WARNING:** Shelf hardware must be correctly installed into studs, wall blocking, or posts. Failure to do so may result in sagging product, falling



**LAUGH IT
OFF**

