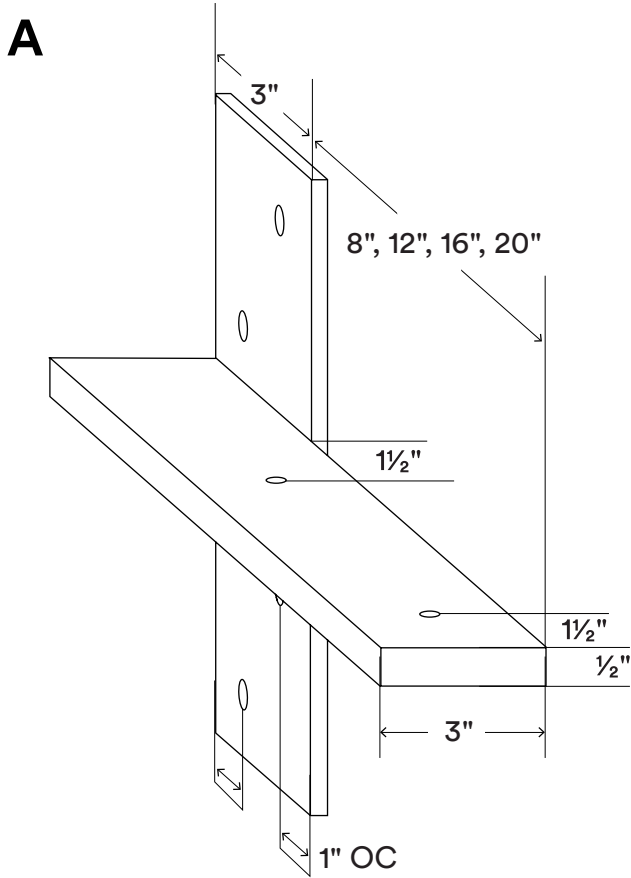


# Drake

Load Capacity (lbs)  
30-100\*

Surface Depth Range (in)  
7-24\*\*



## About Drake

Mounting plate is 1/4" thick, hot-rolled steel, 3" long x 12" high, with 3" wide x 1/2" thick support bar.

Fastener holes are 1/4" outside diameter (OD), ideal for high strength 1/4" lag bolts.

Supports surfaces from 9" to 24" deep and 1 1/2" to 4" thick.

\*Recommended spacing is 32" on center (OC) for shallower, lighter-duty installations, 16" OC or less for deeper, heavier-duty installations.

Bracket mounts to side of stud. Supports up to 100 lbs per hollow rod when correctly mounted.\*

Manufactured from top-quality American steel made with 70% recycled content.

Designed and produced in beautiful middle-of-nowhere Idaho, with sweat, tears, and Ameri-quality awesomeness.

Shelfology radically recycles all production metal, wood and cardboard waste

\*WARNING: All brackets must be installed into studs or posts. Failure to do so may result in saggy desks, falling objects, or even injury.

\*\*Drawings are representations only and not to scale.

© Shelfology 2023

Figure	Bracket Depth	Rod Count	Load	Mounting Plate	Spacing (OC) †	Surface Depth	Surface Thickness
A	8"	1	100 lbs	3" x 12"	16"-32"	9"-12"	1 1/2"-4"
A	12"	1	70 lbs	3" x 12"	16"-32"	13"-16"	1 1/2"-4"
A	16"	1	40 lbs	3" x 12"	16"-32"	17"-20"	1 1/2"-4"
A	20"	1	30 lbs	3" x 12"	16"-32"	21"-24"	1 1/2"-4"

