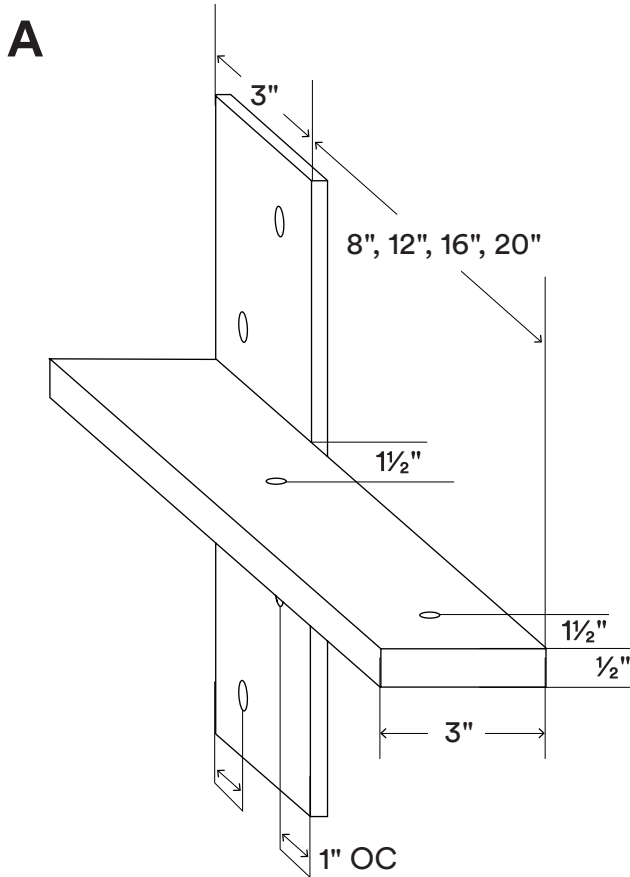


Drake

Load Capacity (lbs)
20-150*

Surface Depth Range (in)
7-18**



About Drake

Mounting plate is 1/4" thick, hot-rolled steel, 3" long x 12" high, with 3" wide x 1/2" thick support bar.

Screw holes are 1/4" outside diameter (OD), ideal for high strength 1/4" lag bolts.

Supports surfaces from 9" to 24" deep and 1 1/2" to 4" thick.

*Recommended spacing is 32" on center (OC) for shallower, lighter-duty installations, 16" OC or less for deeper, heavier-duty installations.

Bracket mounts to side of stud. Supports up to 150 lbs per hollow rod when correctly mounted.*

Designed & engineered in the U.S. of Awesome.

Shelfology radically recycles all production metal, wood and cardboard waste

*WARNING: All brackets must be installed into studs or posts. Failure to do so may result in saggy desks, falling objects, or even injury.

**Drawings are representations only and not to scale.

© Shelfology 2025

Figure	Bracket Depth	Rod Count	Load	Mounting Plate	Spacing (OC) †	Surface Depth	Surface Thickness
A	8"	1	150 lbs	3" x 12"	16"-32"	7"-11"	1 1/2"-4"
A	12"	1	70 lbs	3" x 12"	16"-32"	12"-15"	1 1/2"-4"
A	16"	1	30 lbs	3" x 12"	16"-32"	16"-18"	1 1/2"-4"
A	20"	1	20 lbs	3" x 12"	16"-32"	19"-24"	1 1/2"-4"

