

Doohooky

Hook Installation Guide



Tools You'll Need

Drill	
Measuring Tape	
Level	
Pencil	
Innate Radness (Done!)	
1/4" Diameter Drill Bit*	

* OPTIONAL TOOLS

What's Included

1x Doohooky Hook	
2x Wall Fasteners	
2x Wall Anchors	

Still need help? Speak with a Shelfologist today or see back of installation guide for further motivational support.

CALL A SHEFLOGIST
949.244.1083

CHAT WITH A SHEFLOGIST
hello@shelfology.com

VISIT US ONLINE
www.shelfology.com

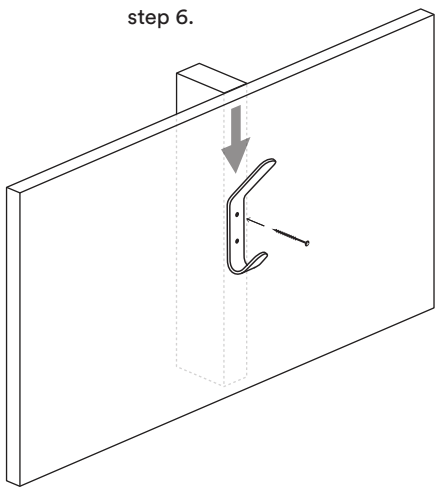
How did we do?

You'll get an email soon asking for a product review, and we'd be stoked if you oblige. You rock in advance!



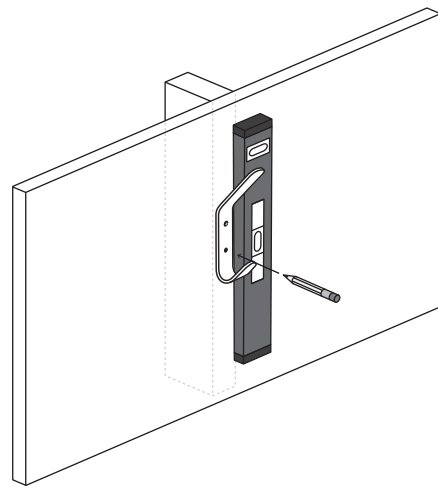
1

Yo, let's go! Position your hook on wall in desired location. Align one of the screw holes with a wall area backed by a stud or blocking. **See Rad Tip #1 below.** Use a drill to install screw into this location. If there is no stud or blocking, skip to step 6.



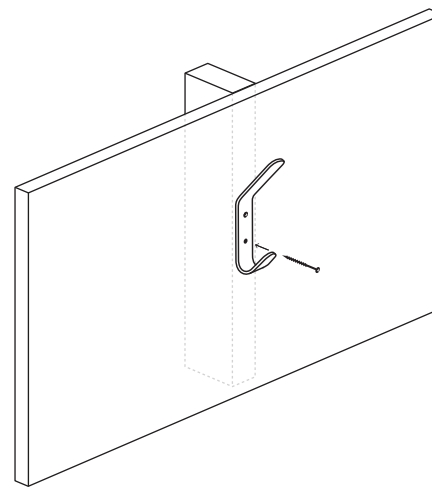
2

Level your most righteous hook, use a bullet level if needed. Mark the second hole with pencil or screw tip.



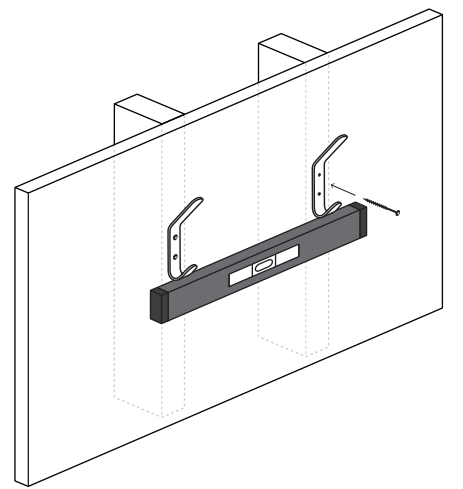
3

Install lower screw. You are done! When installing multiple hooks, see step 4 and 5, otherwise, skip to step 9.



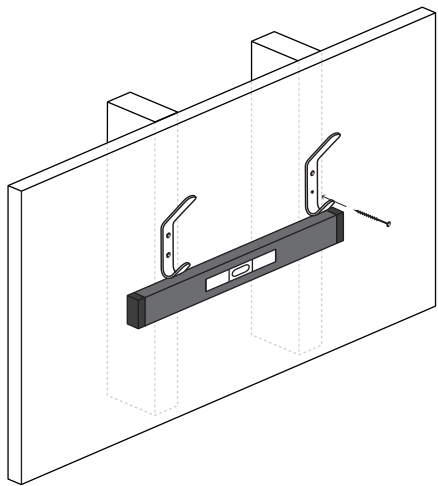
4

Position your next hook over a wall area backed by a stud or blocking. Use a level to align your hooks. **See Rad Tip #2 below.** Mark the upper hole with a screw tip or pencil. If no solid backing is found, see steps 6 through 9.



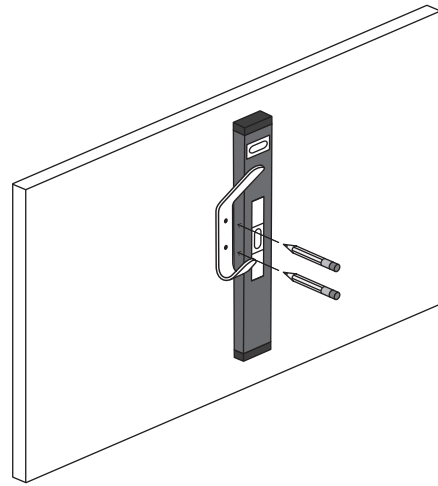
5

Install upper screw into marked location. Check for level, and install remaining screw into lower screw hole. Repeat for additional hooks. Skip to step 9.



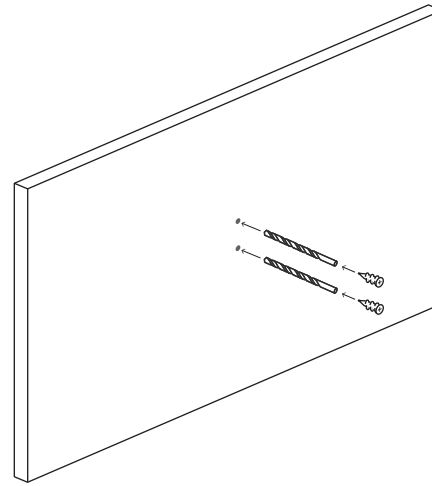
6

For installation into drywall only, Position hook in desired location. Level the hook, and mark both screw hole locations with a pencil or screw tip.



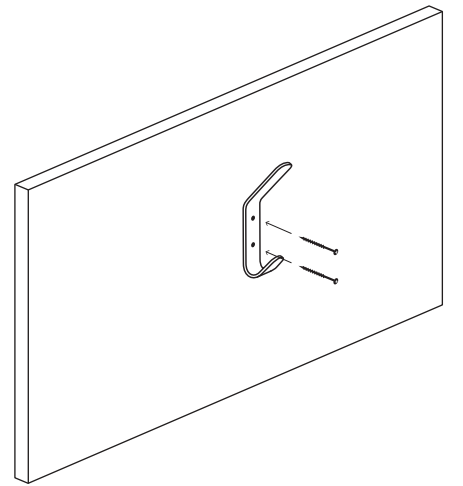
7

Drill a pilot hole for each marked location with a 1/4" diameter drill bit. Install wall anchors into each hole. Be sure the lip of the anchor sits flush with the wall surface.



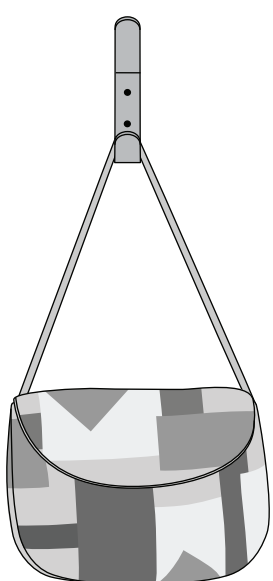
8

Install fastener screws through the hook and into the wall anchors.



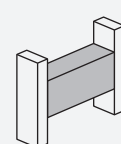
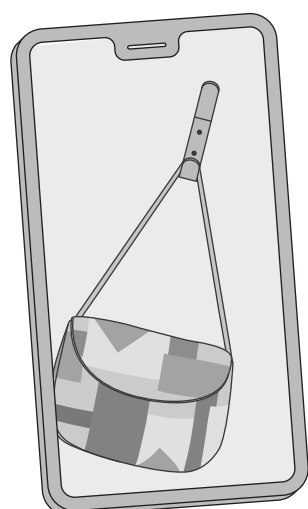
9

Stand back and relax, you did it! Give your cat a celebratory fist bump, if present. Gently hang your authentic 1980s patchwork bag on your Popsicle wall hook and enjoy!



10

Post your sweet Doohooky shelfie on Instagram. Warning: Rad prizes may apply to shelfie of the week. @shelfology#radshelfie



Rad Tip #1 Blocking refers to pieces of wood or other material that run between wall studs in order to provide support and attachment sites for your shelf or hook.



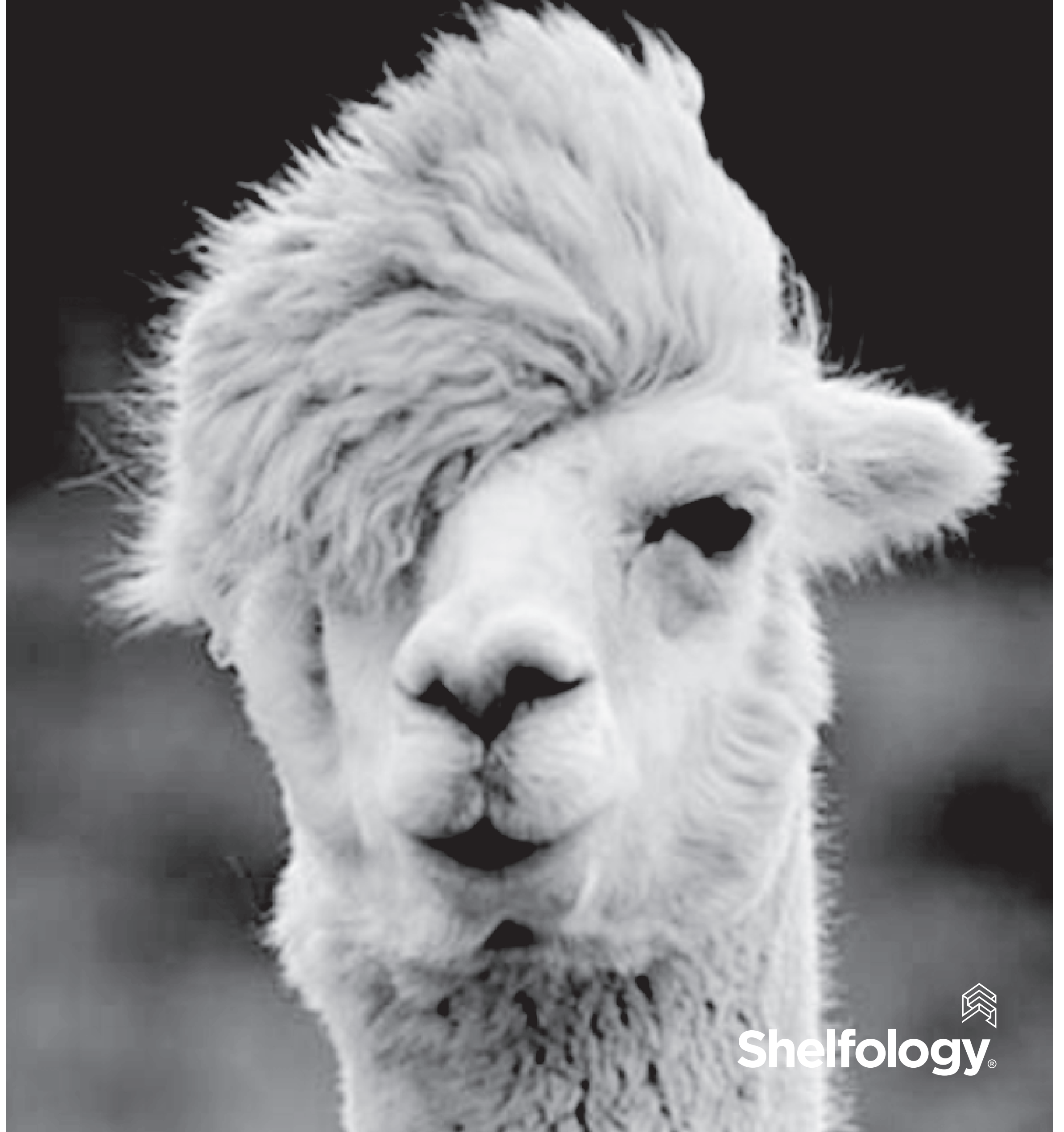
Rad Tip #2 You can turn a short level into a long one by laying it on a straight object like a yard stick. Just hold it against the wall with your bullet level on top and measure!



****WARNING:** Shelves must be correctly installed into studs or wall blocking. Failure to do so may result in sagging shelves, falling objects, or serious injury.



**WE TOTALLY
GET YOU**




Shelfology®