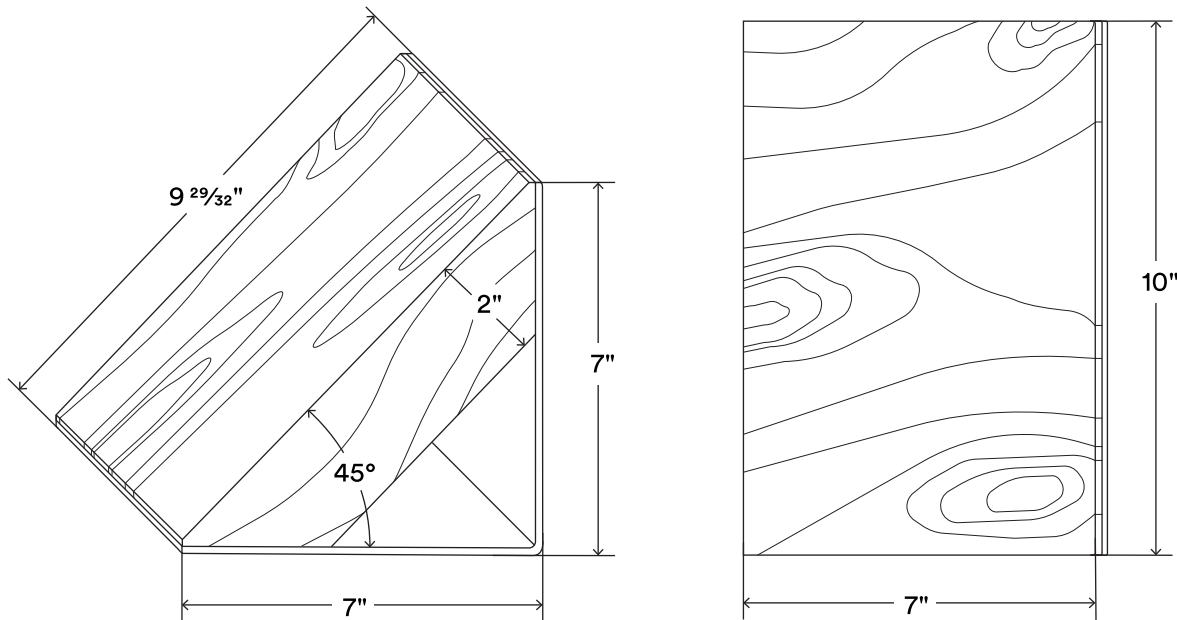


# Book Wedgie (Wood)

Weight (lbs)  
7.67

A



## About Book Wedgie (Wood)

Frame is 1/8" solid hot-rolled steel, available in 30 powder coat colors.

Solid hardwood construction available in 15 finish variations.

Features Cat Tongue Grips' trademark Gription technology for gripping slick print surfaces.

Cat Tongue foot pads protect against scratching and sliding.

Manufactured from top-quality American steel made with 70% recycled content.

Designed and produced in beautiful middle-of-nowhere Idaho, with sweat, tears, and Ameri-quality awesomeness.

Shelfology radically recycles all production metal, wood and cardboard waste.

\*\*

Drawings are representations only and not to scale.

© Shelfology 2022

Figure	Material	Height	Width	Depth	Weight (lbs)
A	Steel, Hardwood	7"	7"	10"	7.67