

Shelfology
Certified Rad_

Made In The U.S.A.
By Woodworkers, For
Woodworkers_

→ Patent
Pending
Design.

⚡ Lightning
Fast Lead
Times.

★ Made
In The
USA.

Bender

Install Guide





Installation
Difficulty
Rating (1-10)

5

Table of Contents	Page
Installation Steps	004
Warnings	006
Rad Tips	007

START ↓ ↓










The Bender All-Steel Wall Shelf will knock your socks off. Bold and beautiful, Bender is the Xena Warrior Princess of wall shelves. Made in-house by us in the United States of Awesome. Rad!

Required Tools

Optional Tools

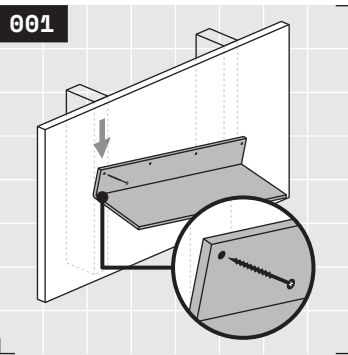
What's In The Box

What You'll Need

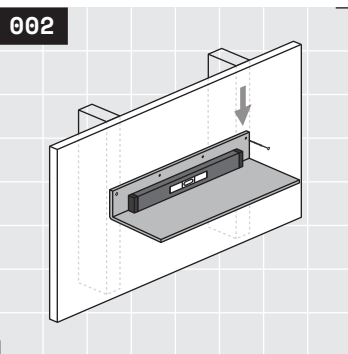
Required Tools	Optional Tools	What's In The Box	What You'll Need
Drill 	Level 	Stud Finder 	¼" Diameter Drill Bit 
Pencil 		Bender Steel Floating Shelf 1x 	Matching 1½" Wall Fastener Set 1x 
		Innate Radness Done! 	Wall Anchor Set 1x 



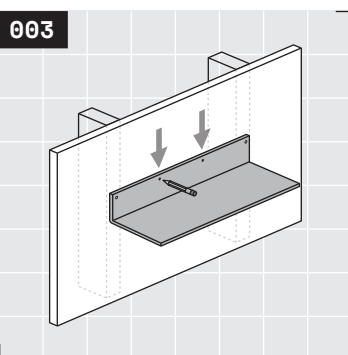
Installation Steps



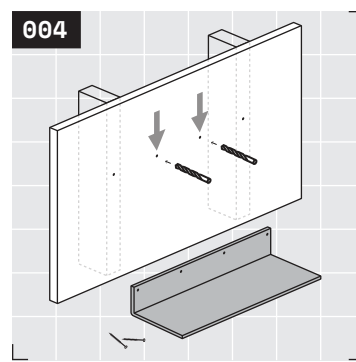
001 Yo! Here we go! Position your shiny new shelf on the wall with the fastener holes along the top edge. Use a drill to fasten either the far left or right hole to the wall in the desired location. For masonry installs, see **Rad Tip** © on page 7.



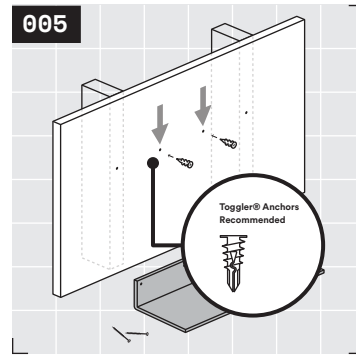
002 Level your shelf, then set another fastener in the next stud or opposite side with your drill. If you have installed blocking behind the full length of your shelf, **skip to step 6**. If you have not installed blocking, proceed to step 3. For more information on blocking, see **Rad Tip** © on page 7.



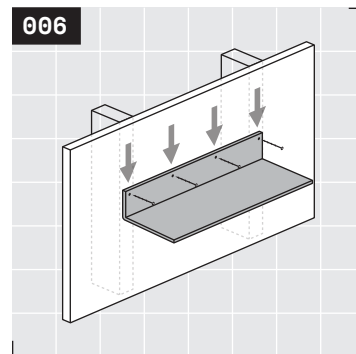
003 Double check the shelf position on your wall and adjust if necessary. Mark all fastener holes with a pencil. Once every fastener location has been marked, uninstall both fasteners and remove your shelf from the wall. Take a swig of your favorite soda or non-alcoholic brew.



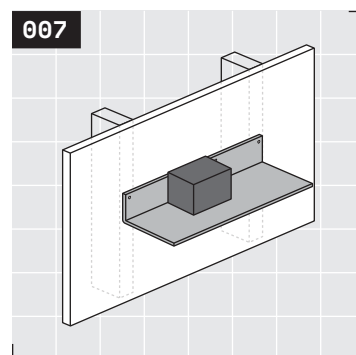
004 Pre-drill each drywall anchor location. Use a 1/4" drill bit to avoid breaking drywall anchors.



005 Install a drywall anchor in each of these pre-drilled locations. If you are using your own anchors, we recommend Toggle brand for best results. Stud locations should not be pre-drilled. Drywall anchors should be installed flush with the drywall surface.



006 Replace the shelf and install a fastener into every location crossing a stud or blocking.



007 Make a final inspection of your shelf. Check for shelf sag, confirm shelf is correctly secured to wall. See **Rad Tip** © on page 7.
Stand back and relax, you did it! Give your cat a celebratory fist bump, if present. Gently place your Golden Girls™ box collection on shelf and admire!





Whoa, you made it! We are vicariously stoking for you right now. Post your sweet shelfie on Instagram now!

@shelfology
#radshelfie

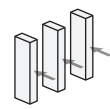
Need a hand? Speak with a Shelf Geek at 949.244.1083 or hello@shelfology.com today.

How did we do? You'll get an email soon asking for a product review, and we'd be stoked if you oblige. You rock in advance!



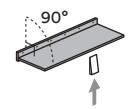
Rad Tips

① Fasten Into All Studs & Blocking The Shelf Crosses



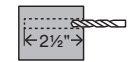
1.1 Studs are the vertical 2x4 boards that make up the bones of your walls. They provide solid structure for your shelves to attach to.

② Using Shims With Your Shelf



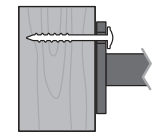
2.1 If your wall is not straight, use shims to ensure your shelf is installed straight across the wall face and square to the wall.

③ Masonry Installation

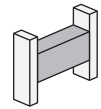


3.1 Hold shelf in position and mark hole placements. Drill each marked location with a 1/4" diameter masonry drill bit. Drill at least 2 1/2" deep to allow for the 2 1/2" wall fastener.

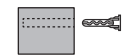
④ How To Choose Your Fastener Type



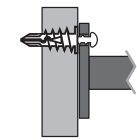
4.1 Truss Head: Use the supplied truss head style wood fasteners in areas that cross studs or blocking with holes and channels that are not countersunk.



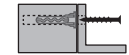
1.2 Blocking is typically added later between studs in the wall for additional support to mount shelves to, and is usually made from 2x4 or 2x6 lumber.



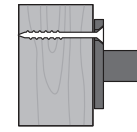
3.2 Using a hammer, tap masonry anchor into hole, flush with wall surface.



4.2 Pan Head: For drywall or masonry, use the supplied pan head fasteners with the included drywall or masonry anchors.



3.3 Hold shelf in position, and install masonry fasteners into anchors.



4.3 Bugle Head: We offer a pro install countersink option that allows you to use bugle head fasteners for a flush finish on the backbar. A flush fastener head means less slab milling or easier finish substrate install over the bracket backbar.

Warnings



① Correct Install Required For Safe Use

1.1 Shelves must be correctly installed into studs or wall blocking. Failure to do so may result in sagging shelves, falling objects, or serious injury.

② Adhere To The Capacity Rating Of Your Specific Shelf

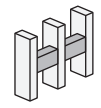
2.1 Every Shelfology shelf has been engineered for use with specific capacities. Failure to follow our specified capacity ratings may result in sagging shelves, falling objects, or serious injury. Please reference the Bender Spec Sheet for more information.

③ California Proposition 65 Warning

3.1 This product contains chemicals known to the State of California to cause cancer and birth defects or other reproductive harm. Don't eat this shelf. If you live outside of California, do whatever you want. For more boring information, visit www.p65warnings.ca.gov.

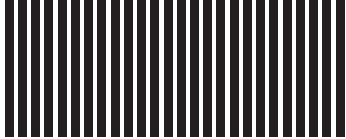
④ Not For Use In Wet Environments

4.1 Powder coated carbon steel does not equal waterproof. If water has direct and constant contact with the shelf, like in a shower or outdoors, it will rust. Shelves installed in these conditions are not covered by our warranty.



1.3 For a contractor grade install with best substrate strength, install blocking along the length of your shelf.





Need a hand? Speak with a Shelf Geek at 949.244.1083 or hello@shelfology.com today.

How did we do? You'll get an email soon asking for a product review, and we'd be stoked if you oblige. You rock in advance!

Call	949.244.1083
Email	hello@shelfology.com
Shop	www.shelfology.com
Visit	156 N 2nd E Rexburg, ID 83440
Social	@shelfology



ON THE
WALL
DESIGNS
BY OFF
THE WALL
DESIGNERS™

