

Aksel LED Shelf System

Install Guide

Installation Difficulty Rating (1-10):

9

Required Installation Tools:

Drill	1/4" Dia. Drill Bit	3/4" Countersink Bit	3/4" Diameter Drill Bit
1/2" Dia. Drill Bit	Level		
Measuring Tape	Phillips Screwdriver		
Pencil			

Optional Installation Tools:

What's Included:

LED Lit Shelf Slab (1x)	Aksel Bracket (1x)	Professional Electrician	Power Supply
Set Screw (2x)	Wall Fastener Set (1x)	Starter Cord	Mounting Block
Wall Anchor Set (1x)	T-25 Torx Bit	Wall Switch Or Dimmer	Innate Radness (Done!)

What You'll Need:

Still Need Help?

Speak with a Shelfologist today or see back of installation guide for further motivational support.

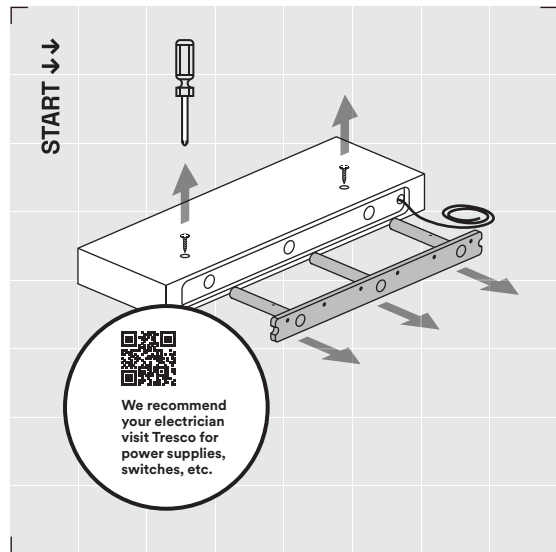
How Did We Do?

You'll get an email soon asking for a product review, and we'd be stoked if you oblige. You rock in advance!



RECLAIM YOUR WALLS

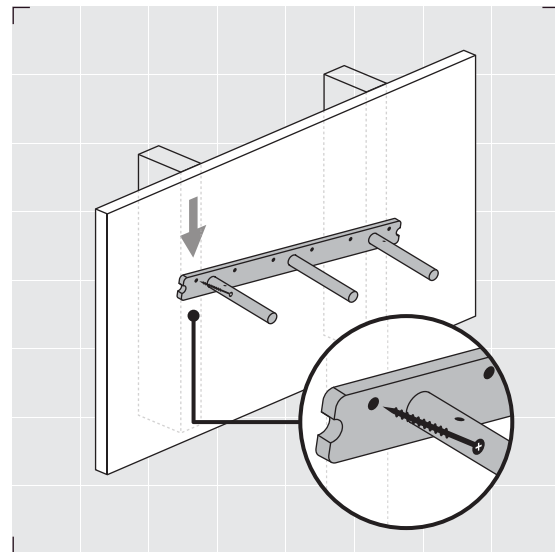
Office: 949.244.1083
 Email: hello@shelfology.com
 Shop: www.shelfology.com
 Physical: 156 N 2 E Rexburg, ID 83440
 Social: @shelfology.com



001

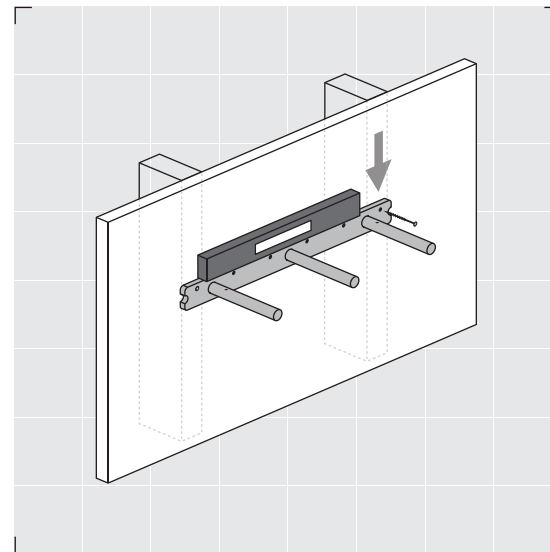
STOP! Consult with a certified electrician before install commences. Every install is different, have a solid wiring game plan ready with your electrician! We recommend <https://trescolighting.com/> for accessories.

Ready? Set your shelf on a padded surface to protect the lighting unit. Remove the set screws and bracket from shelf (be sure not to damage wiring while removing bracket).



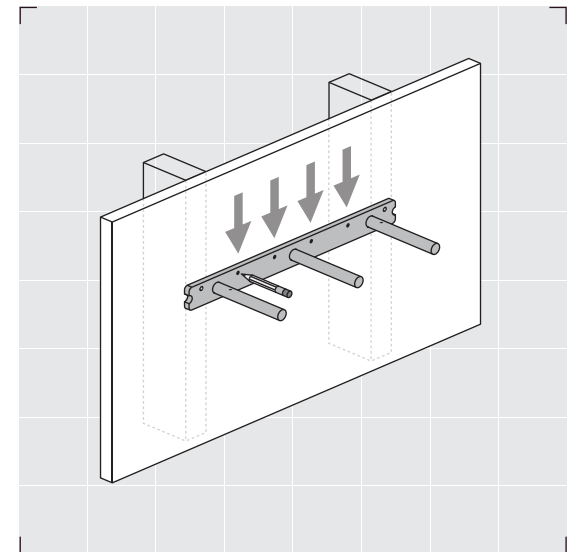
002

Position bracket on the wall with the pre-drilled fastener holes along the top edge. Align fastener holes with as many studs as possible. Use a drill to install a fastener in either far left or right hole.



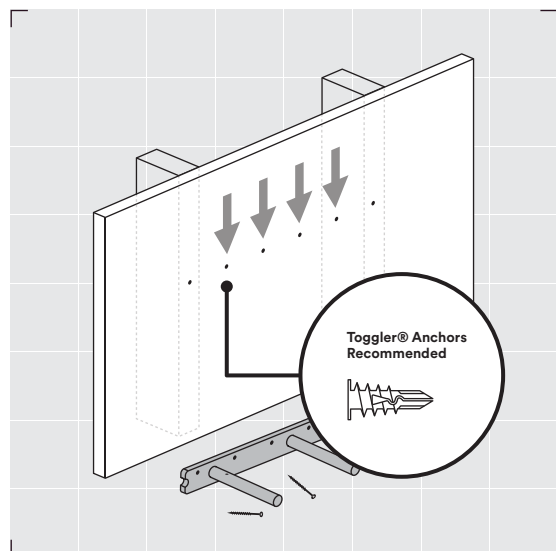
003

Level bracket and install second fastener in opposite end screw hole with your drill. If bracket fastener holes miss an available stud, see **Rad Tip** below. If you've already installed blocking behind the length of the backbar, skip to Step 6. What is blocking, you say? See **Rad Tip** below.



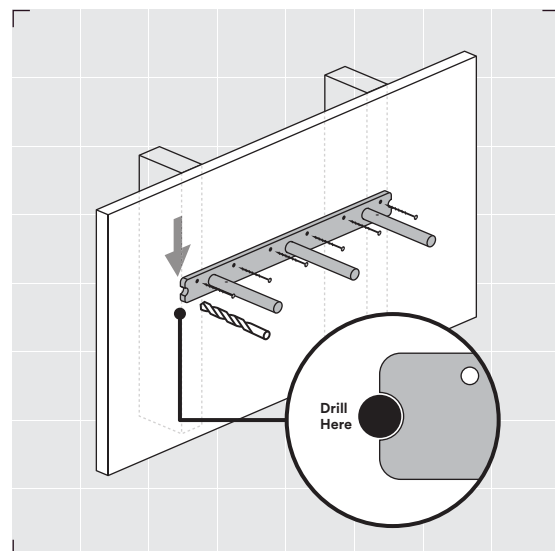
004

While your bracket is mounted to the wall, mark every remaining empty fastener hole with a pencil.



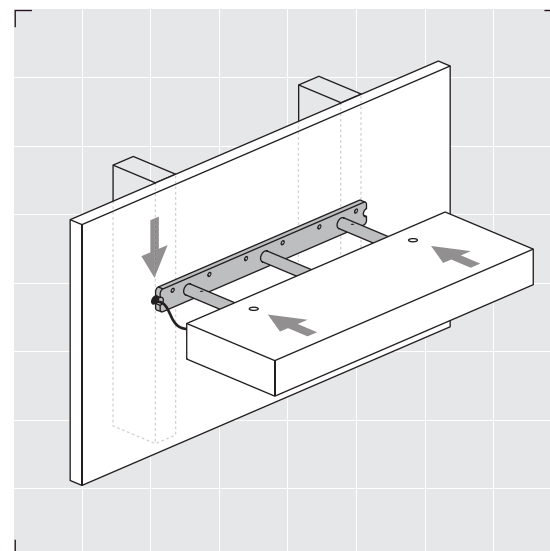
005

Remove your bracket from the wall to install wall anchors in each marked location that is not on a wall stud. Pre-drill each wall anchor location with a 1/4" drill bit to avoid breaking wall anchors.



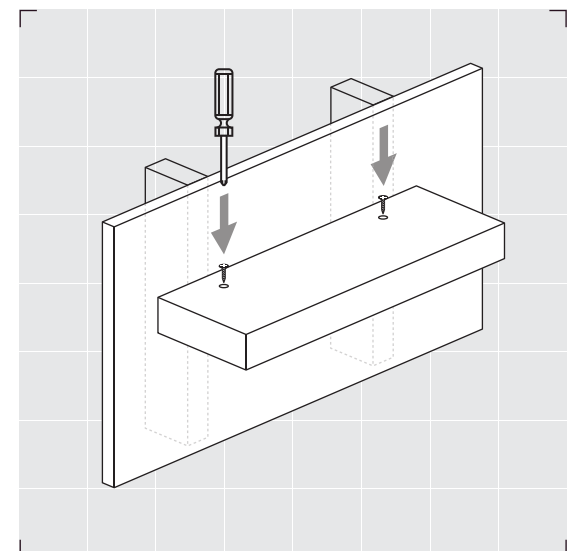
006

Replace bracket, drill fastener into each hole and confirm your bracket is correctly secured to the wall. See **Rad Tip** below. Each end of the steel bracket backbar has a half moon notch. Find the notch which aligns with the wired end of your shelf slab. Drill a hole through the wall inside this notch using a 1/2" drill bit.



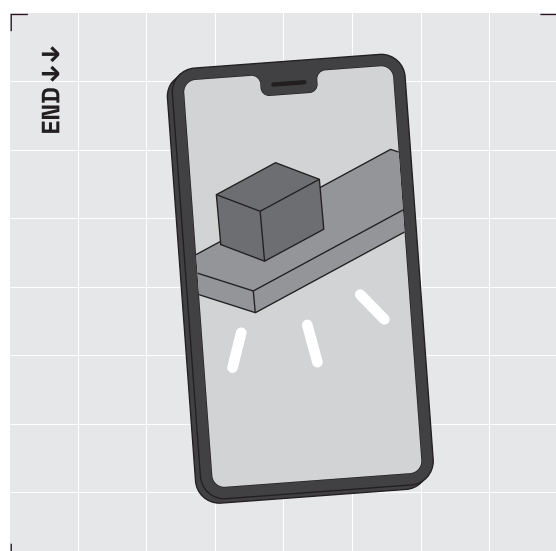
007

Begin sliding your shiny new hardwood shelf onto the bracket. Before pushing the wood shelf fully into place, insert wires into the 1/2" wall hole. See **Rad Tip** below. At this point your electrician should already have a power supply and switch(s) installed, ready to connect.



008

Install shelf set screws with a phillips screwdriver. Do not use a power drill for set screw installation, this can damage your shelf! Install set screws only finger tight.



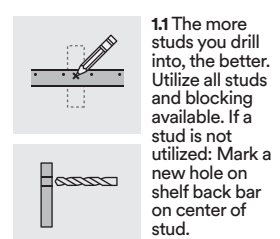
009

It's time to celebrate you and your project's innate awesomeness! You finished this project and deserve heaps of adulation.

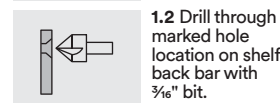
Send us a picture on Instagram to: @shelfology #radshelfie for a digital slap on the back. Warning: rad prizes may apply!

Rad Tips

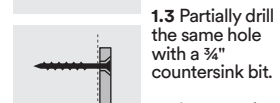
1 Add Holes To Your Bracket



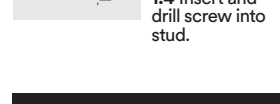
1.1 The more studs you drill into, the better. Utilize all studs and blocking available. If a stud is not utilized: Mark a new hole on shelf back bar on center of stud.



1.2 Drill through marked hole location on shelf back bar with 3/8" bit.

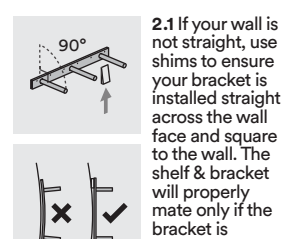


1.3 Partially drill the same hole with a 3/4" countersink bit.

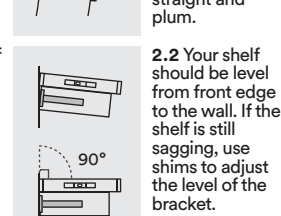


1.4 Insert and drill screw into stud.

2 Plum, Square & Level

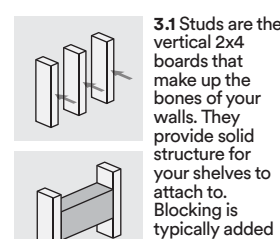


2.1 If your wall is not straight, use shims to ensure your bracket is installed straight across the wall face and square to the wall. The shelf & bracket will properly mate only if the bracket is straight and plum.



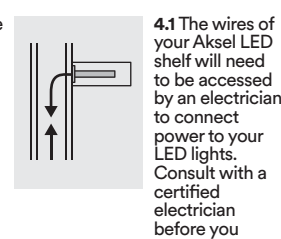
2.2 Your shelf should be level from front edge to the wall. If the shelf is still sagging, use shims to adjust the level of the bracket.

3 Studs & Blocking



3.1 Studs are the vertical 2x4 boards that make up the bones of your walls. They provide solid structure for your shelves to attach to. Blocking is typically added later between studs in the wall for additional support to mount shelves or hook to, and is usually made from 2x4 or 2x6 lumber.

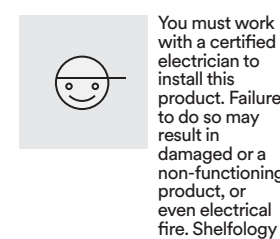
4 Wiring Access



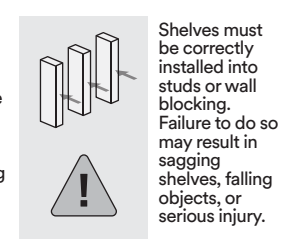
4.1 The wires of your Aksel LED shelf will need to be accessed by an electrician to connect power to your LED lights. Consult with a certified electrician before you complete the shelf install.

Warnings

Certified Electrician Use All Studs and/or Required For Install Wall Blocking



You must work with a certified electrician to install this product. Failure to do so may result in damaged or a non-functioning product, or even electrical fire. Shelfology cannot be held responsible for any electrical work done, or any damage done to you or your home due to improper electrical work attempted. Get an electrician!



Shelves must be correctly installed into studs or wall blocking. Failure to do so may result in sagging shelves, falling objects, or serious injury.

**WE'RE ALL
IMPRESSED**




Shelfology®