



# Akse | Milling/ Mounting Template

Bracket  
Width  
(in.)

# 1 1/4

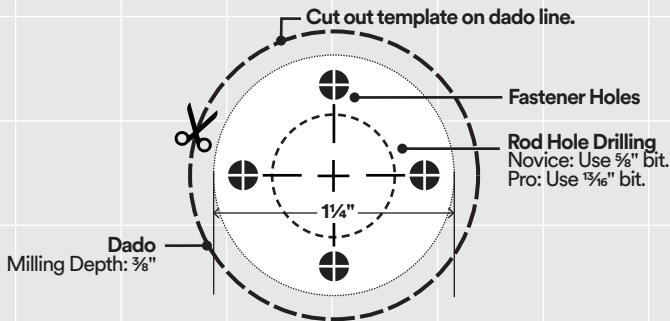
→ Patent  
Pending  
Design.

★ Made  
In The  
USA.

- Holds 45 lbs
- Fits Solid & Hollow Shelves
- Ultra Mega Easy To Install
- Delivers Major Street Cred

Weight  
Class

# MD



# Need a hand? Speak with a Shelf Geek at 949.244.1083 or hello@shelfology.com today.

---

**Call** 949.244.1083  
**Email** hello@shelfology.com  
**Shop** www.shelfology.com  
**Visit** 156 N 2nd E Rexburg, ID 83440  
**Social** @shelfology

---



Scan here to get  
seriously righteous  
downloads and  
tips for your shiny  
new bracket on our  
website!

---

© Shelfology 2023

