



Akseel Milling/ Mounting Template

Bracket
Width
(in.)

1½

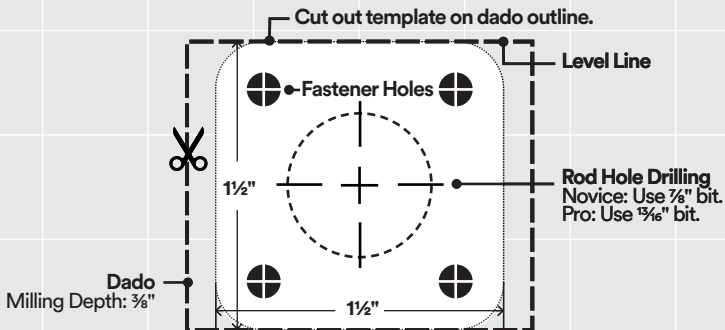
→ Patent
Pending
Design.

★ Made
In The
USA.

- Holds 45 lbs
- Fits Solid & Hollow Shelves
- Ultra Mega Easy To Install
- Delivers Major Street Cred

Weight
Class

HD



**Need a hand? Speak
with a Shelf Geek at
949.244.1083 or
hello@shelfology.com
today.**

Call 949.244.1083
Email hello@shelfology.com
Shop www.shelfology.com
Visit 156 N 2nd E Rexburg, ID 83440
Social @shelfology



Scan here to get
seriously righteous
downloads and
tips for your shiny
new bracket on our
website!

© Shelfology 2023

