

Shelfology
Certified Rad_

Made In The U.S.A.
By Woodworkers, For
Woodworkers_

→ Patent
Pending
✓ Design.

⚡ Lightning
→ Fast Lead
Times.

★ Made
In The
USA.

Yuri XD Bracket

Install Guide





Installation
Difficulty
Rating (1-10)

5

Table of Contents	Page
Construction Method	004
Installation Steps	005
Rad Tips	008
Notes	009
Warnings	011

START ↓ ↓

Unleash the potential of your floating desk dreams with Yuri XD. Experience insane strength worthy of Clark Kent himself. Made in-house by us in the United States of Awesome. Rad!

Required Tools

Optional Tools

What's In The Box

What You'll Need

Required Tools		Optional Tools		What's In The Box		What You'll Need	
Drill 	Level 	Pencil 	Buddy/Pal 	Yuri XD Bracket 1x 	Innate Radness Done! 	1/4" Lagscrews 4x 	
Measuring Tape 	1/8" Diameter Drill Bit 				Set Screws 4x 		

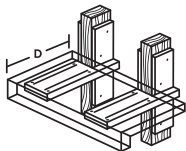


Construction Method

Installation Steps

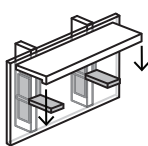


① Pick Your Depth



Bracket Rod Length	Desk Depth (D)
12" (XD)	12"-18"
18" (XD)	18"-24"
24" (XD)	24"-30"

② Use Any Desk Style

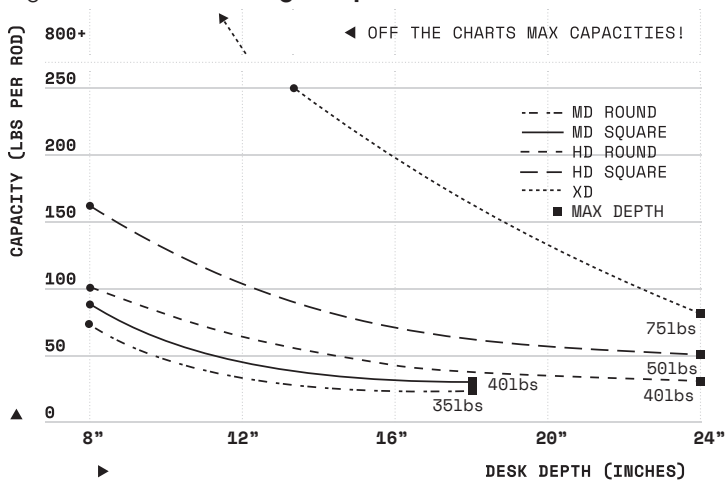


Nearly any desk slab size, shape, or design will work with the Yuri Bracket as support. We recommend spacing brackets every 32" or less.

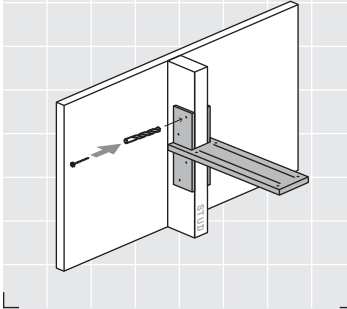
③ Hold Massive Weight

Weight capacity varies by desk depth, mounting surface and the number of fasteners secured through the bracket. Brackets must be installed correctly into studs and blocking. See Figure 1 below.

Figure 1: Yuri Bracket Weight Capacities

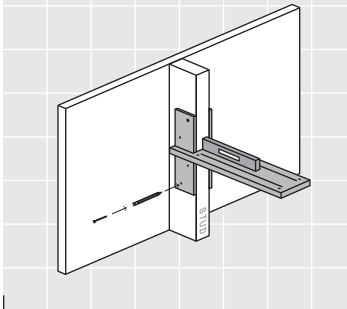


001



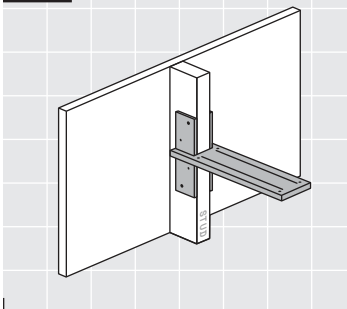
Yo, here we go! Position your first bracket on a stud or post in the desired location. See Rad Tip ① on page 8. Predrill lagscrew location using a 1/8" drill bit. Install a 1/4" lagscrew into an upper fastener hole.

002



Straighten the bracket using a level. Mark a lower fastener hole location with a fastener tip or a pencil. Predrill location with 1/8" drill bit.

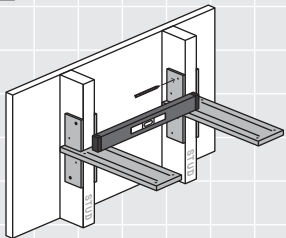
003



Install a second lagscrew into second location. Recheck for level. Predrill and install lagscrews into remaining holes.

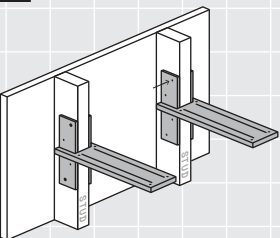


004



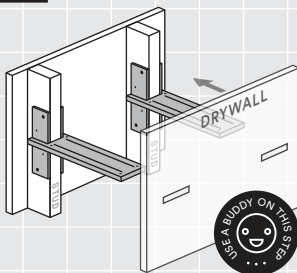
After installing your first bracket, hold the second bracket in position. We recommend spacing brackets 2" or less apart. Use a level to align both brackets horizontally. Mark an upper fastener hole location for the second bracket. See **Rad Tip** on page 8.

005



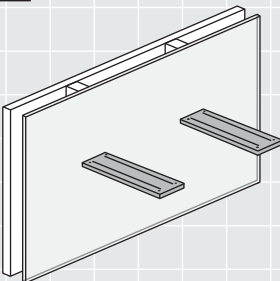
Install upper lagscrew in marked location. Repeat steps 2 and 3. Once you have installed all brackets, you are ready for drywall.

006



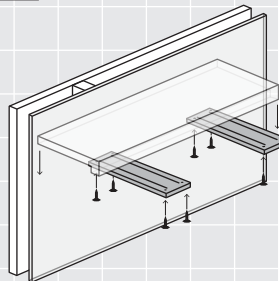
To finish your installation, measure and cut holes in your drywall or wall sheeting large enough to accept the bracket supports. Move wall sheeting into place around brackets and secure it to the wall.

007



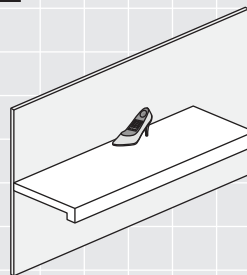
If needed, seal gaps around bracket supports with drywall joint compound. See **Rad Tip** on page 8. Texturing and painting the wall surface behind the desk slab is recommended before desk installation.

008



Position desk slab. If you ordered pre-drilled rods, install set screws into desk through rod holes to secure it in place. If not, see **Rad Tip** below for more information and for slab recommendations.

009



You are done! Give your cat a celebratory fist bump if present. Gently place your authentic 1980's high-heel shoe phone on desk and admire.

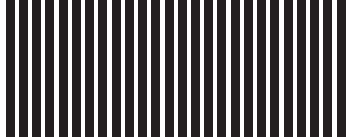
Whoa, you made it! We are vicariously stoking for you right now. Post your sweet shelfie on Instagram now!



@shelfology
#radshelfie

Need a hand? Speak with a Shelf Geek at 949.244.1083 or hello@shelfology.com today.

How did we do? You'll get an email soon asking for a product review, and we'd be stoked if you oblige. You rock in advance!



Need a hand? Speak with a Shelf Geek at 949.244.1083 or hello@shelfology.com today.

How did we do? You'll get an email soon asking for a product review, and we'd be stoked if you oblige. You rock in advance!

Call	949.244.1083
Email	hello@shelfology.com
Shop	www.shelfology.com
Visit	156 N 2nd E Rexburg, ID 83440
Social	@shelfology



**ON THE WALL
DESIGNS
BY OFF THE WALL
DESIGNERS™**