

Shelfology  
Certified Rad™

Designed & Crafted  
By Radically Talented  
Humans Right Here In  
The U.S. Of Awesome\_

→ Patent  
Pending  
Design.

⚡ Lightning  
Fast Lead  
Times.

# Tromso Floating Shelf

## Install Guide















Installation  
Difficulty  
Rating (1-10)

9

Table of Contents	Page
Installation Steps	004
Warnings	006
Rad Tips	007

Required  
Tools

Optional  
Tools

<p><b>Drill</b></p> 	<p><b>Level</b></p> 	<p><b>¼" Diameter Drill Bit</b></p> 	<p><b>Cutting Multi Tool</b></p> 
<p><b>Measuring Tape</b></p> 	+	<p><b>Low-tack Tape</b></p> 	<p><b>Masking Paper</b></p> 
<p><b>Pencil</b></p> 	+	<p><b>Box Cutter</b></p> 	<p><b>Buddy/Pal</b></p> 
+	+	+	+

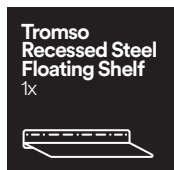
GET MORE RADNESS NOW AT SHELFLOGY.COM  
NEED A HAND? 949.244.1083 // HELLO@SHELFLOGY.COM



START ↓↓

Don't be deceived by its sleek + minimal profile: Tromso looks like Brooke Shields but packs a He-Man-esque punch with insane weight capacity. **Designed & Crafted By Radically Talented Humans Right Here In The U.S. Of Awesome.**

### What's In The Box



	+	+	+	+	
	+	+	+	+	
	+	+	+	+	

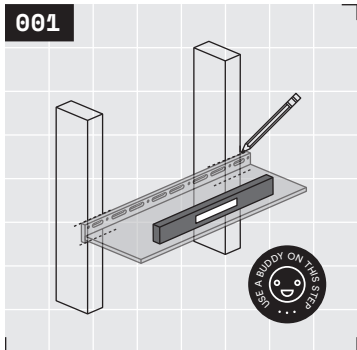
DESIGNED & CRAFTED BY RADICALLY TALENTED HUMANS RIGHT HERE IN THE U.S. OF AWESOME.

LIGHTNING FAST LEAD TIMES.



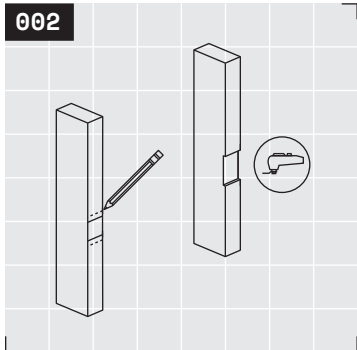
# Installation Steps

001



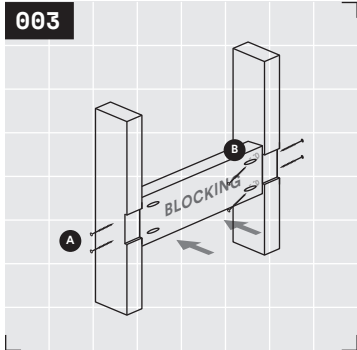
Here we go, homies! Remove any drywall to reveal the wall's studs in the install area. Position your shelf as desired and level. Mark all intersecting studs along the top and bottom edges of your shelf. It helps to have a buddy hold the shelf during this step! For masonry installs, see **Rad Tip** ③ on page 7.

002



Mark a ¼" easement above and below the existing pencil line. Using a chisel or multitool, notch out each stud ¼". Notches must be square and level.

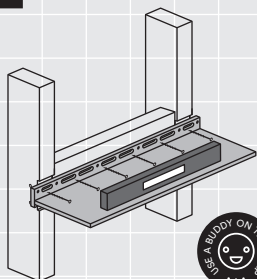
003



Install wood blocking between each stud in order to provide complete support for your shelf. See **Rad Tip** ①. Face of blocking should be flush with stud notches. For more information on making sure your shelf is flush and square, see **Rad Tip** ②. Secure blocking with fasteners from the side of the stud (A), or predrill with a ¼" drillbit and install pocket fasteners if the sides are not accessible (B).

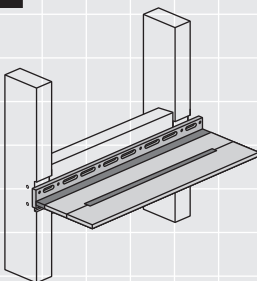


004



Reposition your shelf. Use a drill to fasten either far left or right hole, then level the shelf. Fasten second fastener in the opposite end fastener hole, then fasten all remaining fastener holes. Use shims to level as needed. Use a buddy to help on this step!

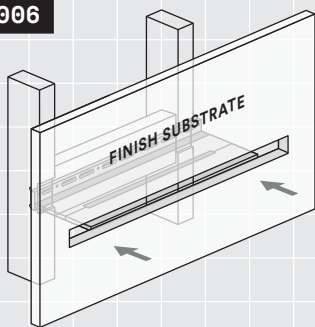
005



Make final inspection of your shelf, checking for shelf sag. Confirm the shelf is correctly and soundly secured to studs and blocking.

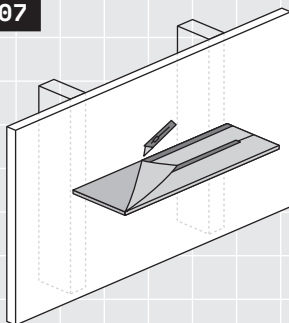
If any further finishing is needed, protect your shelf with low-tack tape and masking paper to keep the rad powder coat safe and damage free.

006



Carefully reinstall your finish substrates to align with the top and bottom of your shelf and secure to studs.

007



When finished, carefully use a blade or box cutter to remove the protective tape and masking paper, revealing your super crisp shelf!

You did it! Give your cat a celebratory fist bump, if present. Gently place your Golden Girls™ box collection on shelf and admire!





Whoa, you made it! We are vicariously stoking for you right now. Post your sweet shelfie on Instagram now!



@shelfology  
#radshelfie

Need a hand? Speak with a Shelf Geek at 949.244.1083 or hello@shelfology.com today.

How did we do? You'll get an email soon asking for a product review, and we'd be stoked if you oblige. You rock in advance!

## Warnings



① **Correct Install Required For Safe Use**

1.1 Shelves must be correctly installed into studs or wall blocking. Failure to do so may result in sagging shelves, falling objects, or serious injury.

② **Adhere To The Capacity Rating Of Your Specific Shelf**

2.1 Every Shelfology shelf has been engineered for use with specific capacities. Failure to follow our specified capacity ratings may result in sagging shelves, falling objects, or serious injury. Please reference the Tromso Floating Shelf Spec Sheet for more information.

③ **California Proposition 65 Warning**

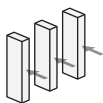
3.1 This product contains chemicals known to the State of California to cause cancer and birth defects or other reproductive harm. Don't eat this shelf. If you live outside of California, do whatever you want. For more boring information, visit [www.p65warnings.ca.gov](http://www.p65warnings.ca.gov).

④ **Not For Use In Wet Environments**

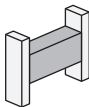
4.1 Powder coated carbon steel does not equal waterproof. If water has direct and constant contact with the shelf, like in a shower or outdoors, it will rust. Shelves installed in these conditions are not covered by our warranty.



## ① Fasten Into All Studs & Blocking The Shelf Crosses



1.1 Studs are the vertical 2x4 boards that make up the bones of your walls. They provide solid structure for your shelves to attach to.

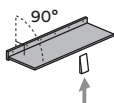


1.2 Blocking is typically added later between studs in the wall for additional support to mount shelves to, and is usually made from 2x4 or 2x6 lumber.

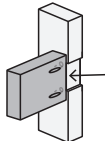


1.3 For a contractor grade install with best substrate strength, install blocking along the length of your shelf.

## ② Using Shims With Your Shelf

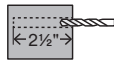


2.1 If your wood blocking is not straight, use shims to ensure your shelf is installed straight across the block face and square to the studs.



2.2 Blocking face should be flush with notch face in order to provide a flat mounting surface for the length of the shelf backbar.

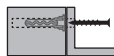
## ③ Masonry Installation



3.1 Hold shelf in position and mark hole placements. Drill each marked location with a 1/4" diameter masonry drill bit. Drill at least 2 1/2" deep to allow for the 2 1/2" wall fastener.



3.2 Using a hammer, tap masonry anchor into hole, flush with wall surface.



3.3 Hold shelf in position, and install masonry fasteners into anchors. We recommend Toggler Alligator AF5 3/16" All-Purpose Concrete + Drywall anchors.

DESIGNED & CRAFTED BY RADICALLY TALENTED  
HUMAN'S RIGHT HERE IN THE U.S. OF AWESOME.

LIGHTNING FAST  
LEAD TIMES.

---

Need a hand? Speak with a Shelf Geek at 949.244.1083 or [hello@shelfology.com](mailto:hello@shelfology.com) today.

How did we do? You'll get an email soon asking for a product review, and we'd be stoked if you oblige. You rock in advance!

---

Call 949.244.1083  
Email [hello@shelfology.com](mailto:hello@shelfology.com)  
Shop [www.shelfology.com](http://www.shelfology.com)  
Visit 156 N 2nd E Rexburg, ID 83440  
Social @shelfology

