

Shelfology
Certified Rad_™

Designed &
Engineered In The
U.S. Of Awesome_

→ Patent
Pending
Design.

⚡ Lightning
Fast Lead
Times.

Steddy Floating Bench Bracket

Install Guide





Installation
Difficulty
Rating (1-10)

7

Table of Contents	Page
Installation Steps	004
Warnings	006
Rad Tips	007

START ↓ ↓













Crazy strong rods means Steddy delivers superior floating bench results, every time. This bracket hangs above the rest! **Designed & Engineered In The U.S. Of Awesome. Rad!**

Required Tools

Optional Tools

What's In The Box

What You'll Need

<p>Drill</p> 	<p>Level</p> 	<p>Pencil</p> 		<p>Steady Bench Bracket 1x</p> 		<p>1/4" Lag Screw Every 6 Inches Along Backbar</p> 	<p>Washer Every 6 Inches Along Backbar</p> 
<p>Measuring Tape</p> 	<p>Socket Wrench</p> 	<p>Stud Finder</p> 				<p>Innate Radness Done!</p> 	
<p>1/2" Socket</p> 	<p>3/16" Diameter Drill Bit</p> 						

GET MORE RADNESS NOW AT SHELFLOGY.COM // HELLO@SHELFLOGY.COM
NEED A HAND? 949.244.1083

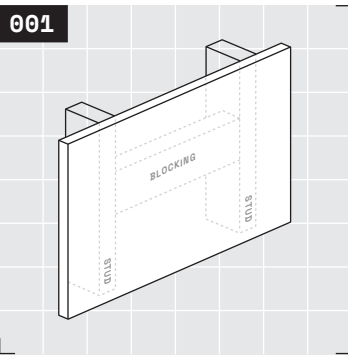


DESIGNED & ENGINEERED IN
THE U.S. OF AWESOME.

LIGHTNING FAST
LEAD TIMES.



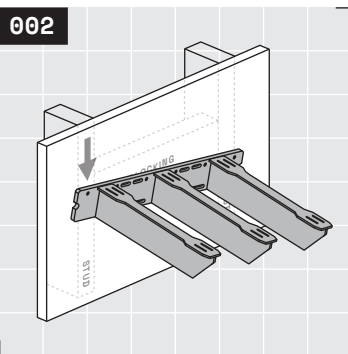
Installation Steps



001

Let's dive in, homies!

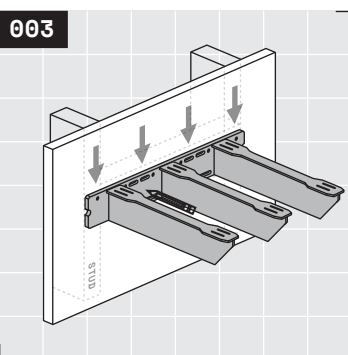
The use of an electronic stud finder is recommended to find blocking that aligns with the mounting holes of the bracket. Install additional blocking as needed to ensure each mounting hole is completely backed by blocking.



002

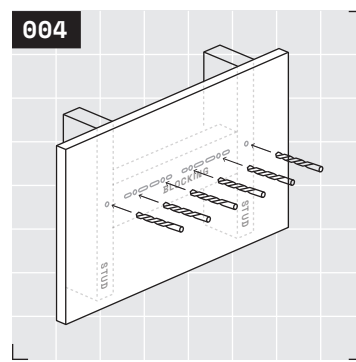
Orient your bracket on the wall so the channels across the top of your bracket face up. Use a drill to install a fastener in either far left or right hole.

Level your bracket, set another fastener in the opposite end hole with your drill.



003

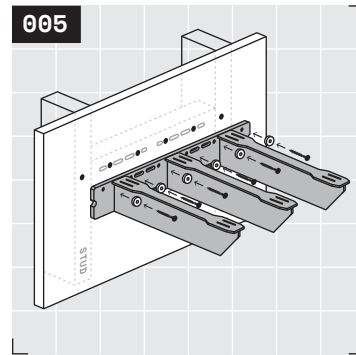
Mark all fastener holes and channels with a pencil. Once every fastener location has been marked, uninstall both fasteners and remove your bracket from the wall.



004

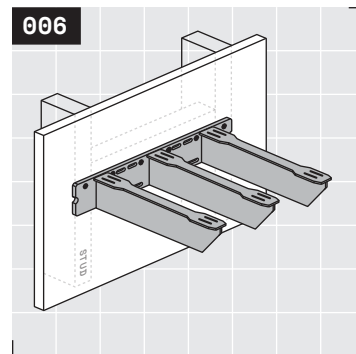
Use a $\frac{3}{16}$ " drill bit to create a pilot hole at least $\frac{1}{2}$ " deep in the center of the mounting location before installing lag screws.

Failure to properly drill pilot holes may split the stud or blocking, resulting in major structural rework to your wall and bench project.



005

Confirm the position of the bracket. Using a socket wrench with a $\frac{1}{2}$ " socket, install a washer and lag screw through each mounting hole. Do not fully tighten until each lag screw is in place. Once lag screws are installed, fully tighten each, checking for solid engagement between the lag screw and the blocking or stud.



006

That's it! Make a final inspection of your bracket. Check for bracket sag, confirm bracket is correctly secured to wall. To correct sag, see **Rad Tip** ® on page 7. Your bracket is now prepared for a prime bench slab to be installed. If you need more help, please reach out to a shelf geek today.

hello@shelfology.com
949.244.1083





Whoa, you made it! We are vicariously stoking for you right now. Post your sweet shelfie on Instagram now!



@shelfology
#radshelfie

Need a hand? Speak with a Shelf Geek at 949.244.1083 or hello@shelfology.com today.

How did we do? You'll get an email soon asking for a product review, and we'd be stoked if you oblige. You rock in advance!

Warnings



① **Correct Install Required For Safe Use**

1.1 Brackets must be correctly installed into studs or wall blocking.

② **Adhere To The Capacity Rating Of Your Specific Bracket**

2.1 Every Shelfology bracket has been engineered for use with specific bench capacities.

③ **California Proposition 65 Warning**

3.1 This product contains chemicals known to the State of California to cause cancer and birth defects or other reproductive harm.

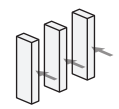
④ **This Product May Make Others Incredibly Jealous**

4.1 Any Shelfology Certified Rad™ product should be flaunted with caution around friends, loved ones, and even complete strangers, as minimal or extreme jealousy may occur.

Rad Tips

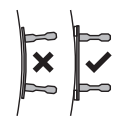


① **Fasten Into All Studs & Blocking The Bracket Crosses**

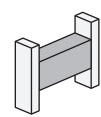


1.1 Studs are the vertical 2x4 boards that make up the bones of your walls. They provide solid structure for your brackets to attach to.

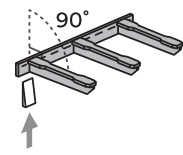
② **Using Shims With Your Bracket**



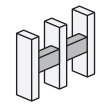
2.1 If your wall is not straight, use shims to ensure your bracket is installed straight across the wall face and square to the wall. The bench slab and bracket will properly mate only if the bracket is straight and plum.



1.2 Blocking is typically added later between studs in the wall for additional support to mount brackets to, and is usually made from 2x4 or 2x6 lumber.



2.2 If your bracket continues to sag after correct install, use wood shims underneath the backbar to adjust front to back level.



1.3 For a contractor grade install with best substrate strength, install blocking along the length of your bracket.



Need a hand? Speak with a Shelf Geek at 949.244.1083 or hello@shelfology.com today.

How did we do? You'll get an email soon asking for a product review, and we'd be stoked if you oblige. You rock in advance!

Call 949.244.1083
Email hello@shelfology.com
Shop www.shelfology.com
Visit 156 N 2nd E Rexburg, ID 83440
Social @shelfology

